



MERONI & COLZANI
M I L A N O

BAGUTTA

Arch. Maurizio Di Mauro



DESCRIPTION

The Bagutta family, with a decisive contemporary character and precious construction details, is available in four versions embracing a wide range of customizations between decorative elements and finishes. Multiple combinations can be obtained by varying the three custom elements: legs, external structure and doors. The structure is in solid wood, while are the doors which really make the difference in their various forms.

TECHNICAL INFORMATION

Typology

Cupboards

Legs

Solid walnut | Solid ash | Painted metal

Outside structure

MDF panel lacquered | Canaletto walnut veneered | Ash open pore veneered

Inside structure

Blockboard panel veneered ash open-pore

Doors

MDF panel lacquered | Canaletto walnut veneered | Ash open pore veneered | Painted metal frame

Inside shelves

Glass fumè

Dimensions

cm 124x42x127h | cm 124x42x149h | cm 124x42x154h

in 48"5/6x16"1/2x50" | in 48"5/6x16"1/2x58"21/32 | in 48"5/6x16"1/2x60"5/8

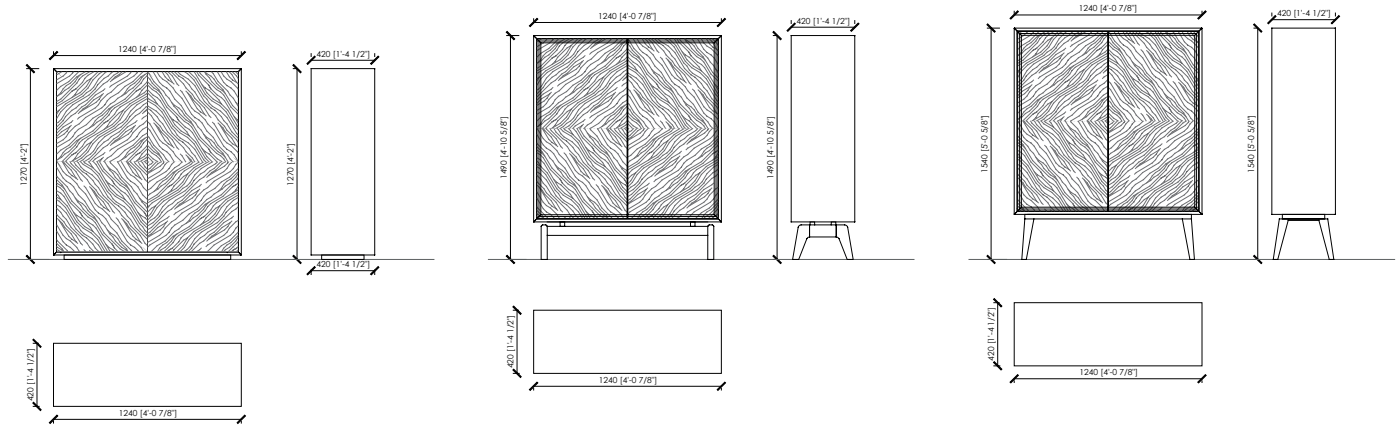


MERONI & COLZANI
MILANO

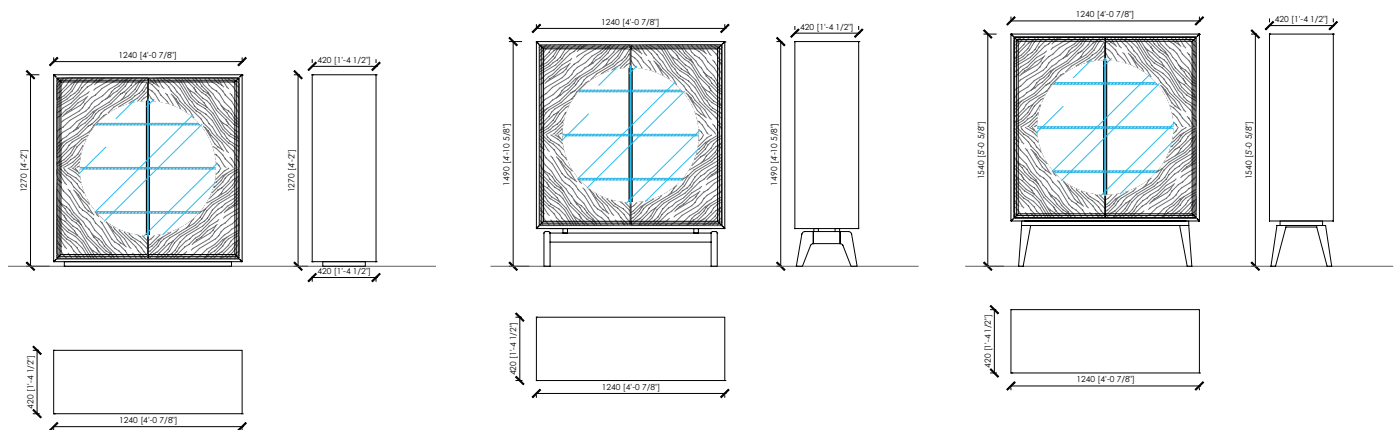
BAGUTTA

Arch. Maurizio Di Mauro

bagutta wood



bagutta circle



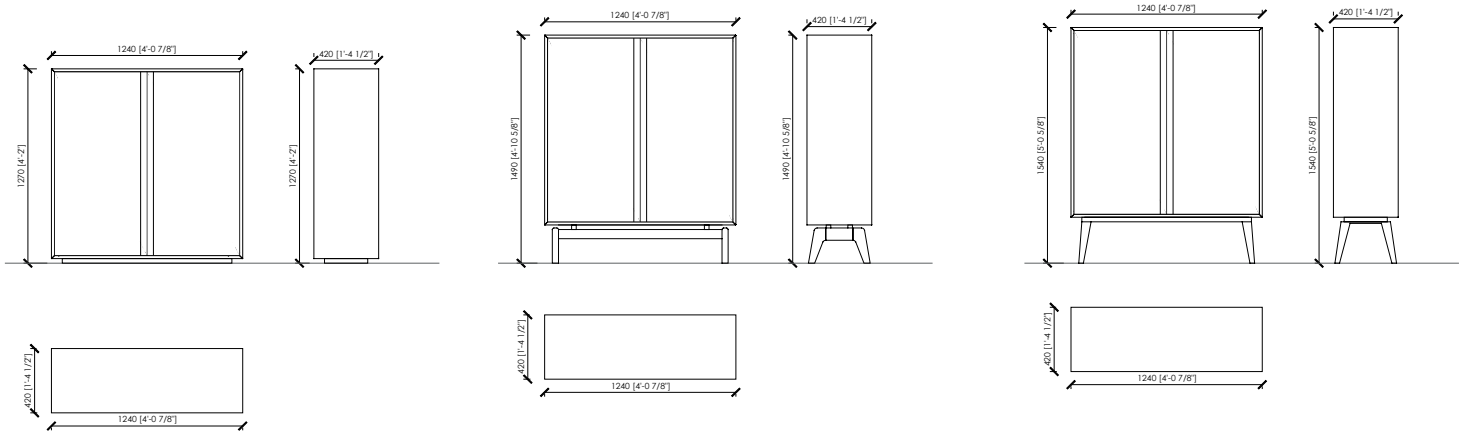


MERONI & COLZANI
MILANO

BAGUTTA

Arch. Maurizio Di Mauro

bagutta plain



bagutta glass

