



MERONI & COLZANI  
M I L A N O

## CAMPO MARZIO

Arch. Maurizio Di Mauro



### DESCRIPTION

---

Sobriety and elegance meet in Campomarzio the most sophisticated version of eclecticism, setting your personality at the center, with all its facets, nuances and its desire to be renewed every day. In addition to choosing the type of fabric or leather that best suits you and your living room, you can also think about the so-called "overcoat"- the leather part which covers its back making it even more precious.

### TECHNICAL INFORMATION

---

#### Typology

Modular sofa

#### Structure and padding

Wood covered in differential density polyurethane with dacron layers and fine velvet in nylon fibre.  
Seat cushion in 100% goose down with insert in differential-density polyurethane.  
Back cushions in 100% goose down.

#### Back and seat

Covered in fabric or leather

#### Cover

Completely removable cover in fabric, not removable cover structure in leather.

#### Stitch

Normal stitch, colors of sample book.

#### Optional

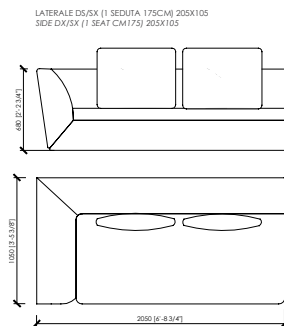
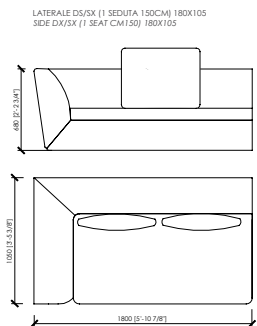
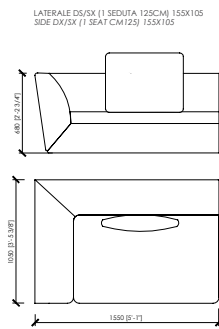
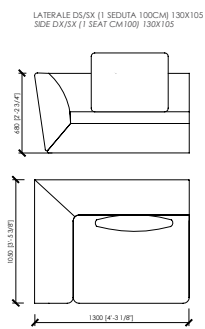
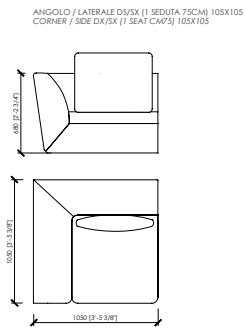
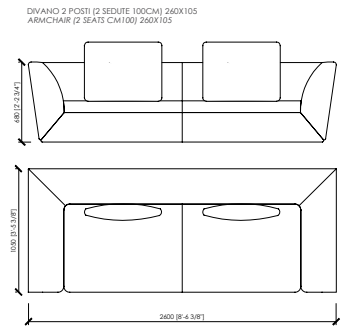
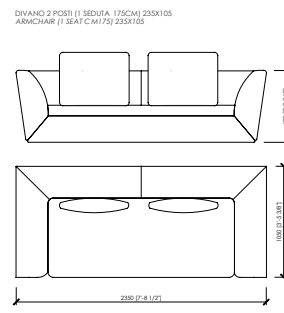
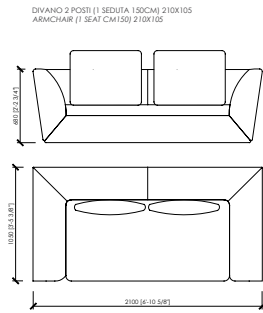
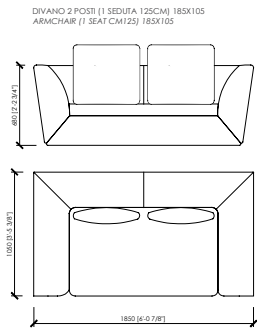
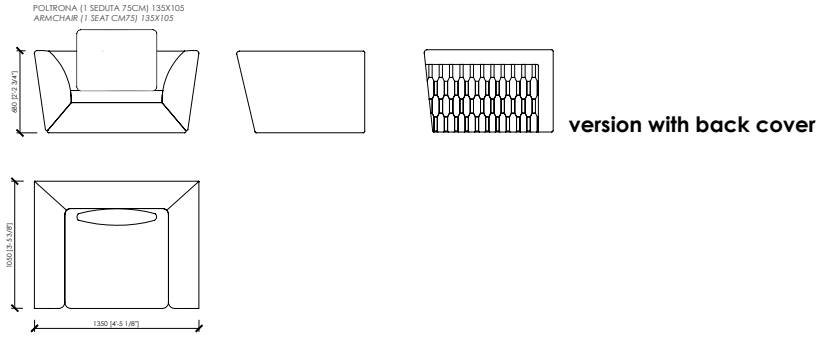
Leather back cover with MC monogram



# MERONI & COLZANI MILANO

## CAMPO MARZIO

Arch. Maurizio Di Mauro



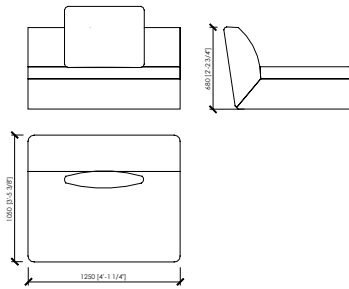


# MERONI & COLZANI MILANO

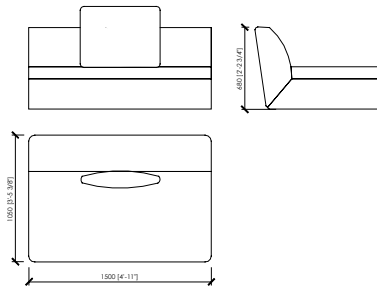
## CAMPO MARZIO

Arch. Maurizio Di Mauro

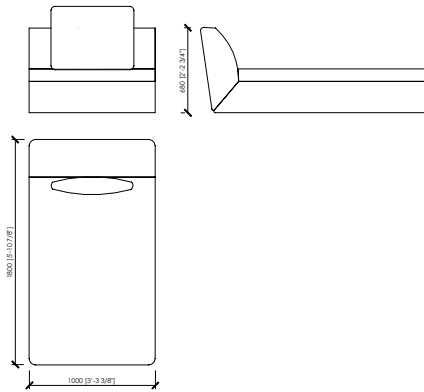
CENTRALE 125X105  
CENTRAL 125X105



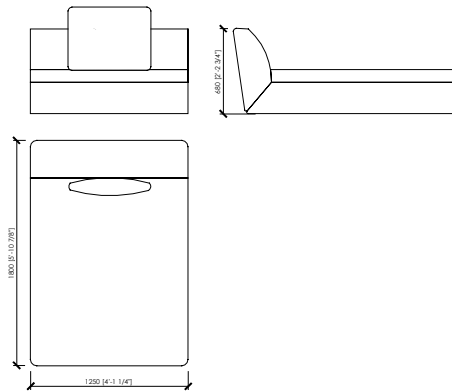
CENTRALE 150X105  
CENTRAL 150X105



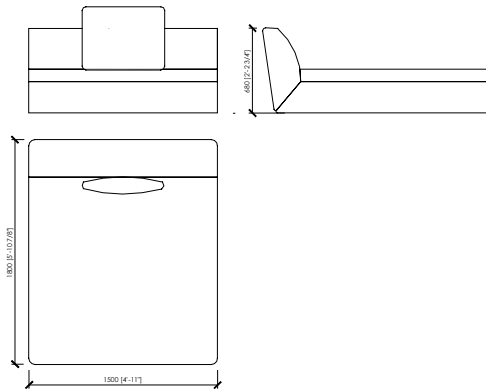
CHAISE LONGUE 100X180  
CHAISE LONGUE 100X180



CHAISE LONGUE 125X180  
CHAISE LONGUE 125X180



CHAISE LONGUE 150X180  
CHAISE LONGUE 150X180



CHAISE LONGUE DX/SX 130X180  
CHAISE LONGUE DX/SX 130X180

