



MERONI & COLZANI
M I L A N O

CORSOCOMO

MC Lab



DESCRIPTION

Modernity conceived in an essence. The most sophisticated. Corso Como is a sofa with clear-cut lines, bearer of a fresh mood capable of expressing an essential image. Its details - such as the visible stitching and the solid wood legs - are extremely refined.

TECHNICAL INFORMATION

Typology

Sofa

Structure and padding

Wood covered in differential density polyurethane with dacron layers and fine velvet in nylon fibre.
Seat cushion in 100% goose down with insert in differential-density polyurethane.
Back cushions in 100% goose down.

Legs

Solid canaletto walnut | Solid ash

Cover

Completely removable cover in fabric, not removable cover structure in leather.

Stitch

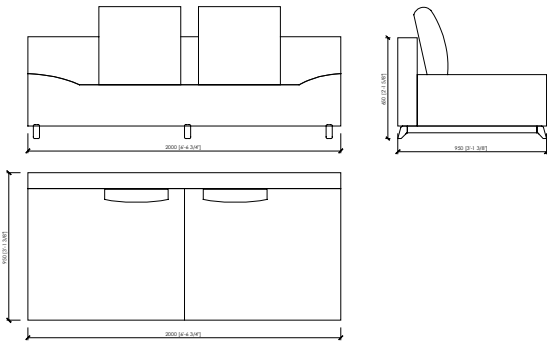
stitch, colors of sample book.



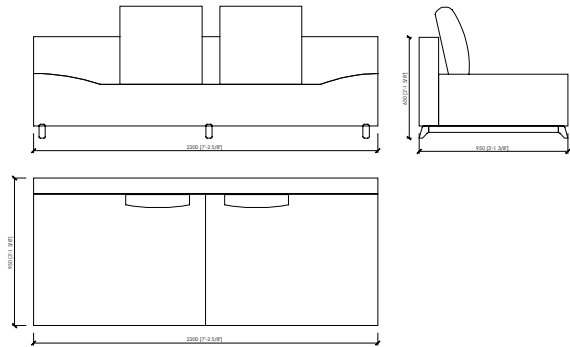
MERONI & COLZANI MILANO

CORSOCOMO MC Lab

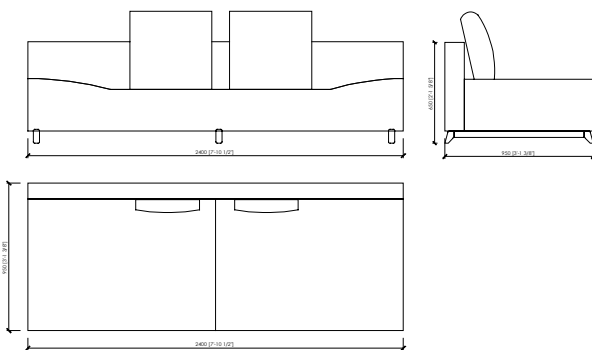
DIVANO 2 POSTI 200X95
2-SEATER SOFA 200X95



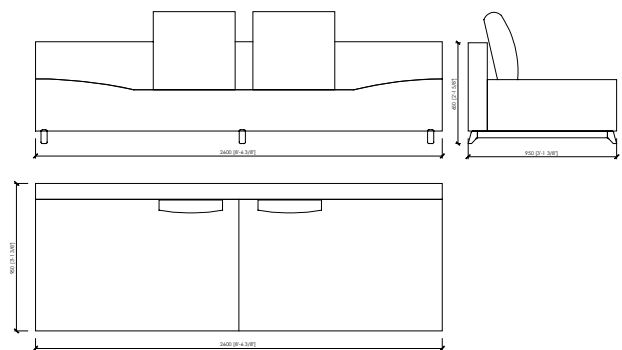
DIVANO 2 POSTI 220X95
2-SEATER SOFA 220X95



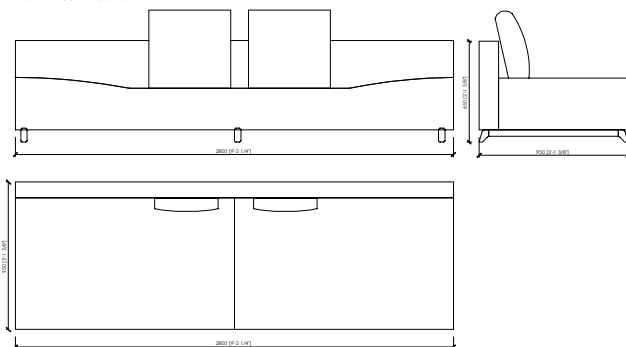
DIVANO 2 POSTI 240X95
2-SEATER SOFA 240X95



DIVANO 2 POSTI 260X95
2-SEATER SOFA 260X95



DIVANO 2 POSTI 280X95
2-SEATER SOFA 280X95



DAYBED_280X85

