



MERONI & COLZANI  
M I L A N O

## DUCA D'AOSTA

MC Lab



### DESCRIPTION

---

A sofa ready to play the role of absolute protagonist in your living area. A sofa to be lived like a perfect relaxation island: informal and with extra large proportions. Modern is synonymous with functional in Duca D'Aosta: the comfort of its mechanism allowing you to change the inclination of its backrest and headrest is cozy to be tried and a pleasure to be seen. A pleasure as the aesthetic impact created by the thin armrests clearly contrasting with its impressive seats.

### TECHNICAL INFORMATION

---

#### Typology

Modular sofa

#### Structure and padding

Wood covered in differential density polyurethane with dacron layers and fine velvet in nylon fibre.  
Seat cushion in 100% goose down with insert in differential-density polyurethane.  
Back cushions in 100% goose down.

#### Cover

Fabric or leather not removable

#### Stitch

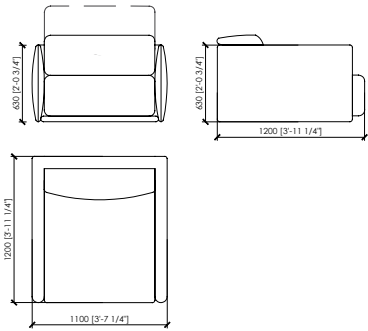
Normal stitch, colors of sample book.



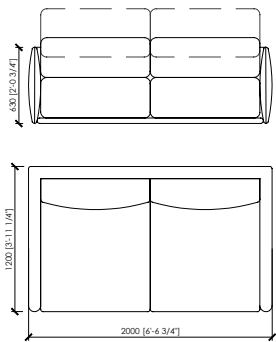
# MERONI & COLZANI MILANO

## DUCA D'AOSTA MC Lab

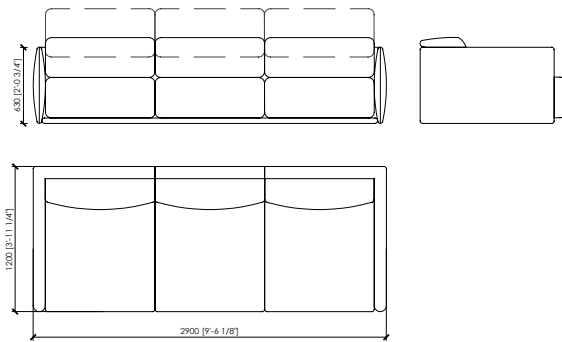
POLTRONA\_110x120  
ARMCHAIR\_110X120



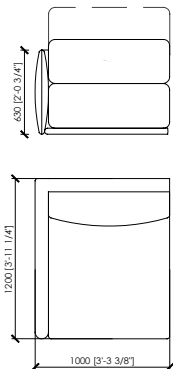
DIVANO 2 POSTI (2 SEDITE DA CM90)\_200x120  
2-SEATER SOFA (2 SEATS CM 90)\_200X120



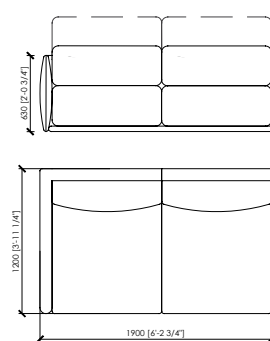
DIVANO 3 POSTI (3 SEDITE DA CM90)\_290x120  
3-SEATER SOFA (3 SEATS CM 90)\_290X120



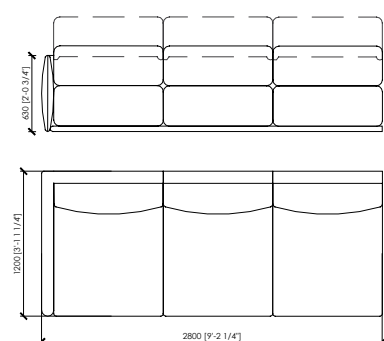
LATERALE DX/SX\_100x120  
SIDE DX/SX\_100X120



LATERALE DX/SX\_190x120  
SIDE DX/SX\_190X120



LATERALE DX/SX\_280x120  
SIDE DX/SX\_280X120



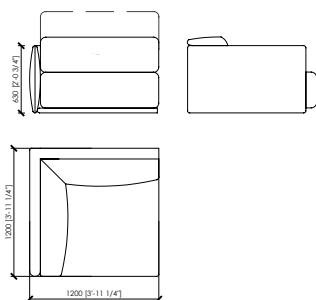


MERONI & COLZANI  
M I L A N O

## DUCA D'AOSTA

MC Lab

ANGLO\_100x120  
CORNER T20X120



CHAISE LONGUE DX/SX\_100x200

