



MERONI & COLZANI
M I L A N O

LINGOTTO

Arch. Maurizio Di Mauro



DESCRIPTION

Lingotto is an unusual and eclectic collection: a series of bifacial storage units with a unique personality, unconventional and elegant, real jewels capable of imposing their beauty and making it the protagonist of any project. A uniqueness that arises from the play of color and material combinations, plus the overlap of modules

TECHNICAL INFORMATION

Typology

Cupboard | Sideboard

External structure

MDF panel lacquered | canaletto walnut veneered

Internal structure

MDF panel matt lacquered |

Top

MDF panel lacquered | canaletto walnut veneered | marble

Plinth

Painted metal in grey, champagne, satin brass dark and light, black finish, Mc liquid silver

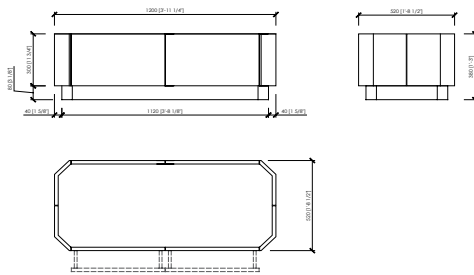


MERONI & COLZANI MILANO

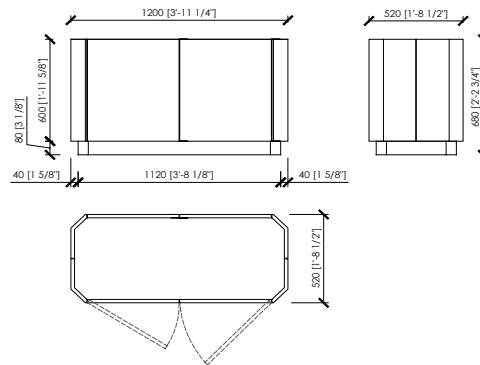
LINGOTTO

Arch. Maurizio Di Mauro

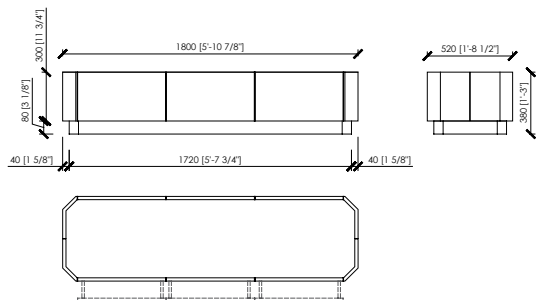
1.2 L



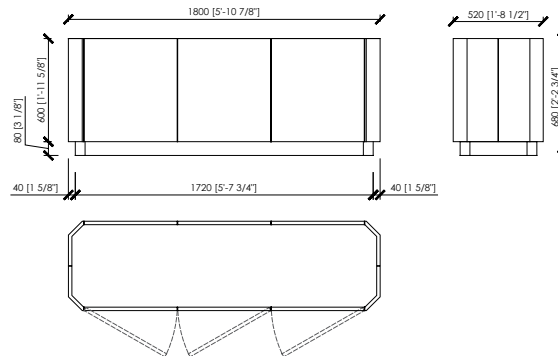
1.2 H



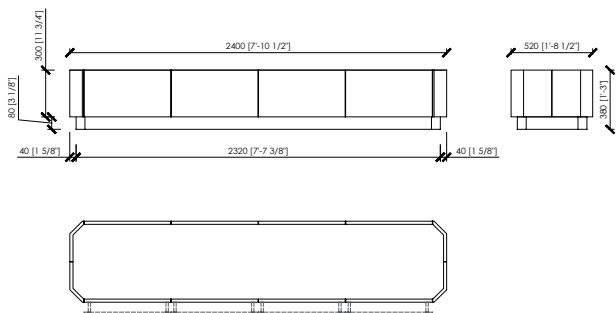
1.8 L



1.8 H



2.4 L



2.4 H

