



MERONI & COLZANI
M I L A N O

OPERA HIGH

MC Lab



DESCRIPTION

Continuous and generous lines, extraordinarily rounded: an invitation to let yourself go, taking your seat. Opera is recognizable by its elegant back embroidered with four buttons and its decorative stitching, more or less evident depending on the color combinations you choose. Why have we called it Opera High? Because its headrest is raised, specifically designed for your complete relaxation.

TECHNICAL INFORMATION

Typology

Armchair | Sofa lounge | pouf

Structure and padding

Wood covered in differential density polyurethane with dacron layers and fine velvet in nylon fibre.

Cover

Completely removable cover in fabric, not removable cover in leather.
Detail with bottoms to the back

Stitch

Piping colors of sample book.

Dimensions

Armchair: cm 78x103x86h. | in 30"5/7x40"5/9x33"6/7h
Sofa lounge: cm 200x103x86h. | in 78"3/4x40"5/9x33"6/7h
Pouf: cm 60x40x42h | in 25"5/8x15"3/4x16"1/2

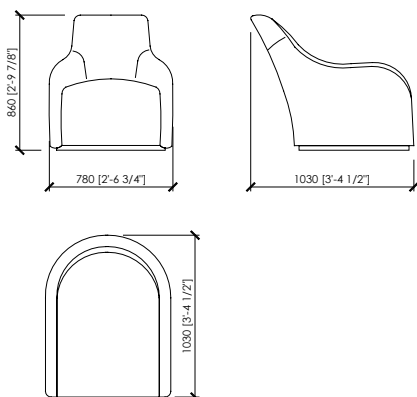


MERONI & COLZANI
M I L A N O

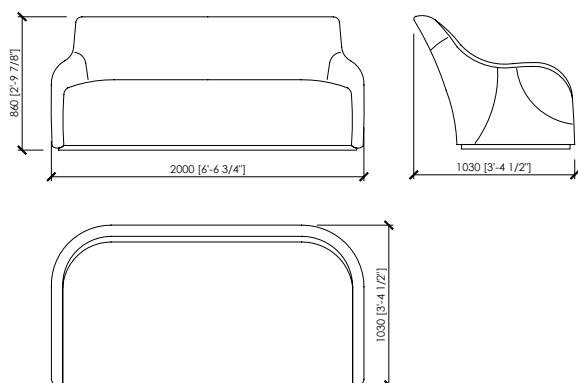
OPERA HIGH

MC Lab

POLTRONA OPERA HIGH/ ARMCHAIR OPERA HIGH



DIVANO OPERA HIGH / SOFA OPERA HIGH



POUF

