



DESCRIPTION

Basic chic with an excellent, well-studied seating comfort. The combination of the broad slats and the pure but powerful design, reinvents teak in a modern, robust way. Tribù uses only the very best Javanese plantation wood for its teak outdoor furniture. Its quality is locally controlled by a subsidiary under european management to guarantee european standards.

MATERIALS

Frame: plantation teak from East-Java, every part is handpicked during the cutting process of the tree. The slats have a thickness of 2cm.

CUSHIONS

Filling in dryfoam which has an open cell structure, so air can circulate freely. Water passes through the filling, but dries quickly thanks to the large open pores, substantially inhibiting fungal growth. Fabrics available in category D, E & F. The cushions of the Kos collection have an overstitched pattern.



COLOURS

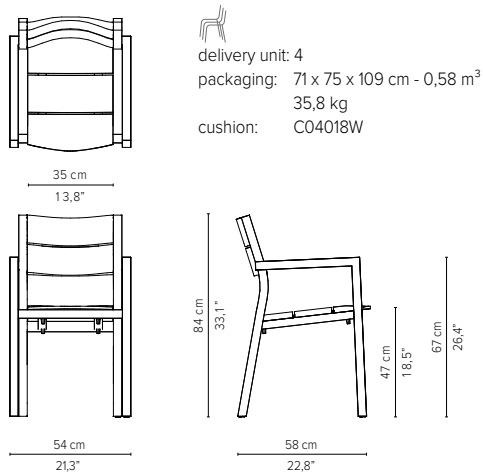
Teak



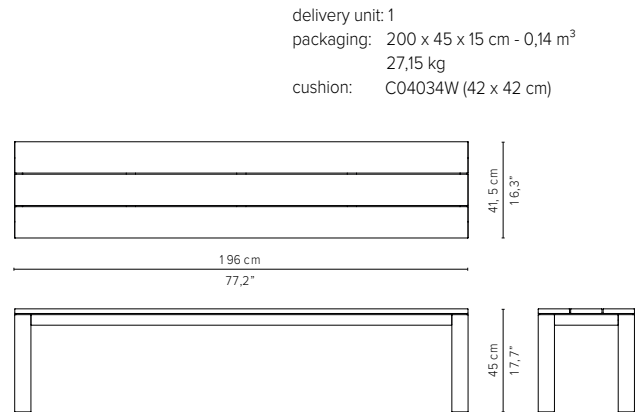
KOS

TECHNICAL DRAWINGS

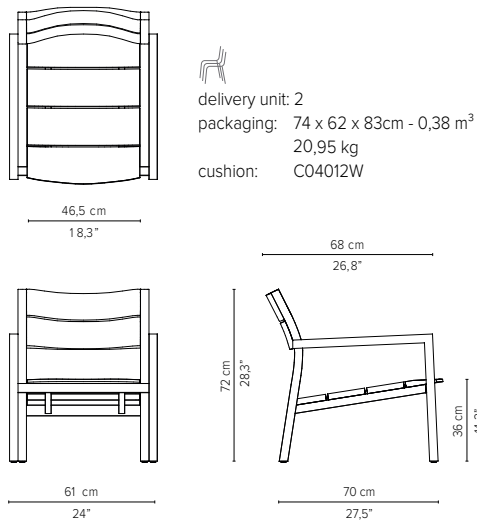
04018 - Armchair



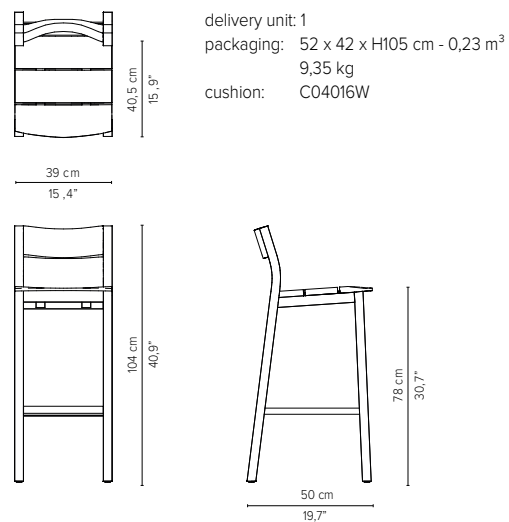
04034 - Bench 196 cm 



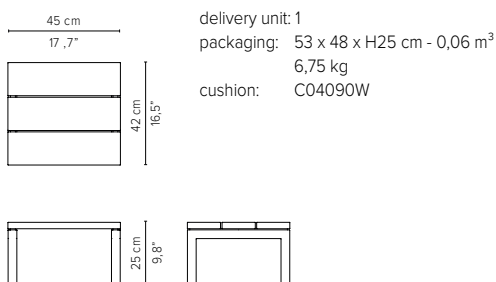
04012 - Easy chair



04016 - Barchair



04090 - Footrest / Sidetable

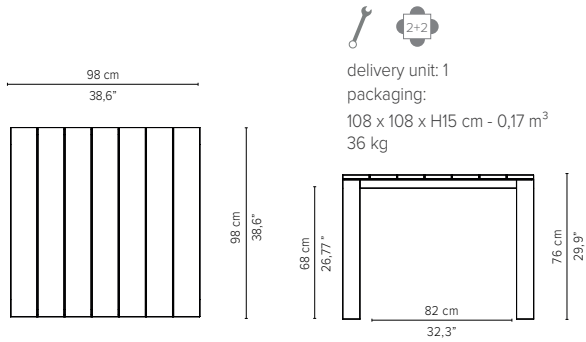


Appearances, measurements and weights may slightly differ from reality.

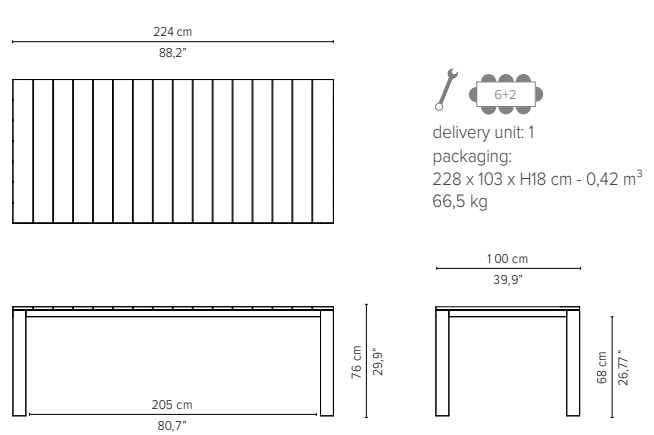
KOS

TECHNICAL DRAWINGS

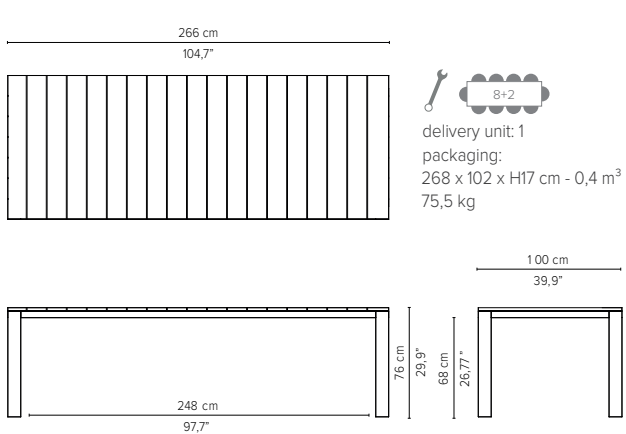
04073 - Dining table 98 x 98 cm



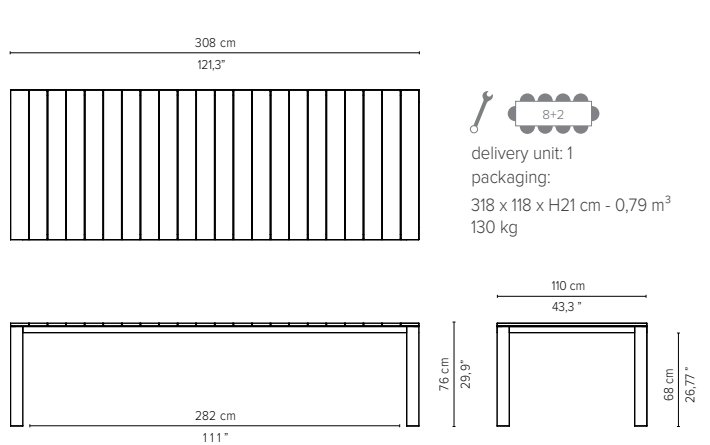
04052 - Dining table 224 x 100 cm



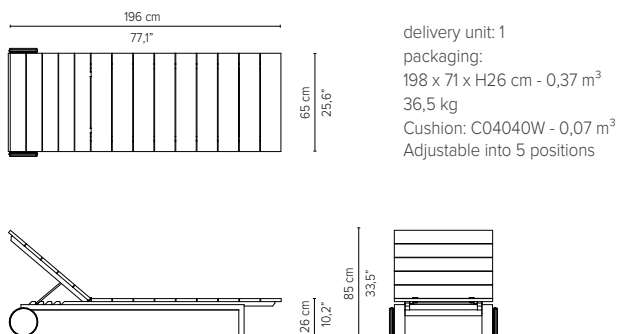
04053 - Dining table 266 x 100 cm



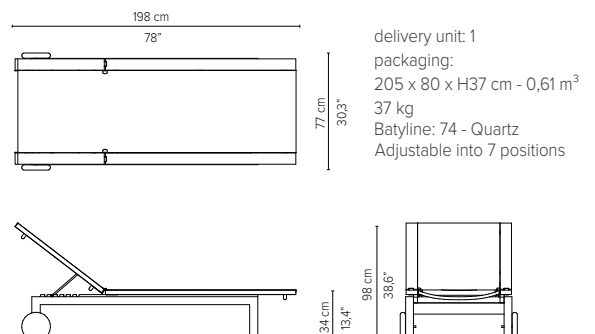
04054 - Dining table 308 x 110 cm



04040 - Adjustable Lounger



01340-74 - Adjustable Lounger Batyline



Appearances, measurements and weights may slightly differ from reality.

KOS

PROTECTION COVERS

For each item a cover is available that protects the furniture against dirt. These covers in grey colour are made of PU coated polyester which is water-repellent and UV-resistant. Thanks to their excellent breathable qualities the covers reduce condensation and heat build-up, helping to prevent the formation of mold and mildew. Nevertheless, they are not 100% waterproof. Always make sure that furniture, cushions and covers are completely dry before covering furniture.

MAINTENANCE

Teak

Treat new teak with Teak Protector 4 à 6 weeks after installation. Teak Protector applies an invisible film that prevents stains and green deposit. Soiled teak can be cleaned with Teak Super Cleaner. Leave the furniture to dry completely and then apply Teak Protector. To avoid labour-intensive cleaning, you can treat the wood with Teak Sealer. A simple cleaning with water and a ph-neutral soap will do for many years. Teak Sealer contains UV protection to slow down the graying from the sun as well as a fungicide to prevent the growth of mold and mildew.



D9914
Teak Super
Cleaner



D9912
Teak Protector



D9959
Teak Sealer

KOS

TECHNICAL STANDARDS

04018 Armchair

ANSI/BIFMA X5.1-2011

EN1022:2005 6
EN581-1:2006 5
EN 1728:2012

CPSD-HL-01063-MTHD
CPSD-HL-01012-MTHD



04012 Easy chair

ANSI/BIFMA X5.1-2011

EN1022:2005 6
EN581-1:2006 5
EN 1728:2012

CPSD-HL-01063-MTHD
CPSD-HL-01012-MTHD



04040 Lounger

ANSI/BIFMA X5.4-2012

CPSD-HL-01063-MTHD
CPSD-HL-01012-MTHD



KOS

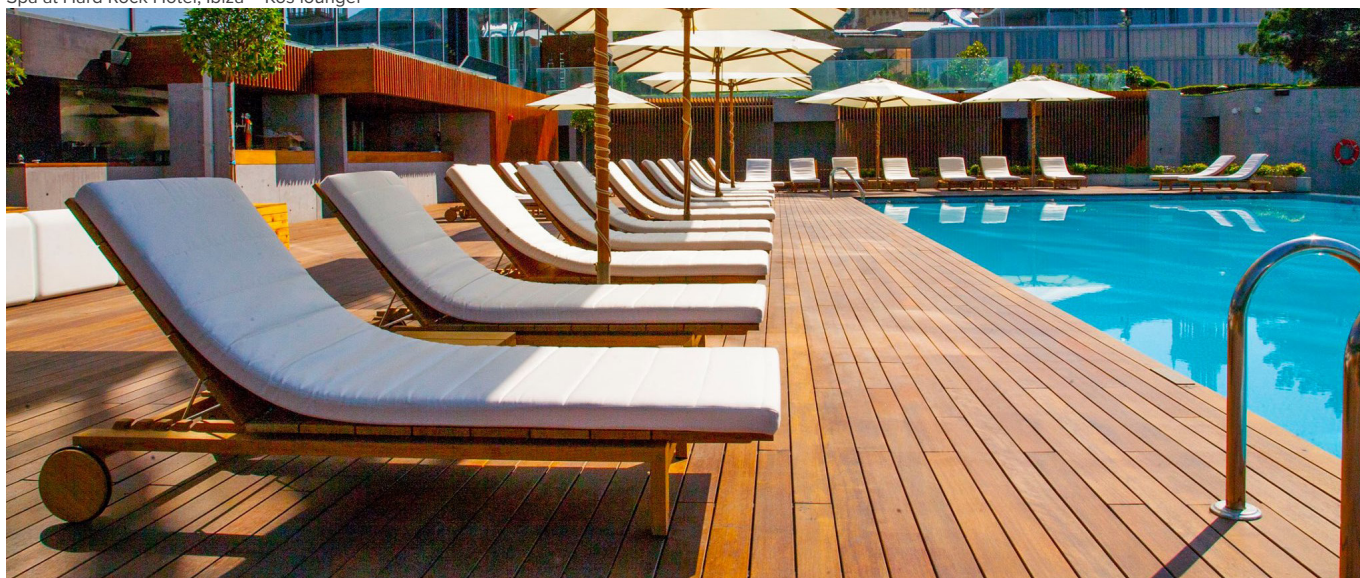
PROJECT REFERENCES



Spa at Hard Rock Hotel, Ibiza – Kos armchair, bench and dining chair



Spa at Hard Rock Hotel, Ibiza – Kos lounge



Radisson Blu Iveria, Tbilisi – Kos lounge