

MIRTHE SOFA

STUDIO SEGERS



DESCRIPTION

Mirthe Sofa is an outdoor sofa concept characterised by extra large outdoor cushions, kept in place by subtle, varnished aluminium shells. You can arrange your own personal concept simply by combining the three basic elements. The dryfoam cushion fillings have an open cell structure, allowing air to circulate freely. Water passes through the filling but dries quickly thanks to the open pores. A sophisticated palette of nearly 120 outdoor fabrics allows for endless possibilities in any kind of style.

MATERIALS

- Frame: 6 mm plate aluminium powdercoated with ultra durable structure lacquer.
Open bottom structure to create optimal ventilation for the cushions.
Each module includes a connector piece to connect the individual elements.

CUSHIONS

Filling in dryfoam which has an open cell structure, so air can circulate freely. Water passes through the filling, but dries quickly thanks to the large open pores, substantially inhibiting fungal growth. Fabrics available in category D, E & F.

COLOURS FRAME

00-White

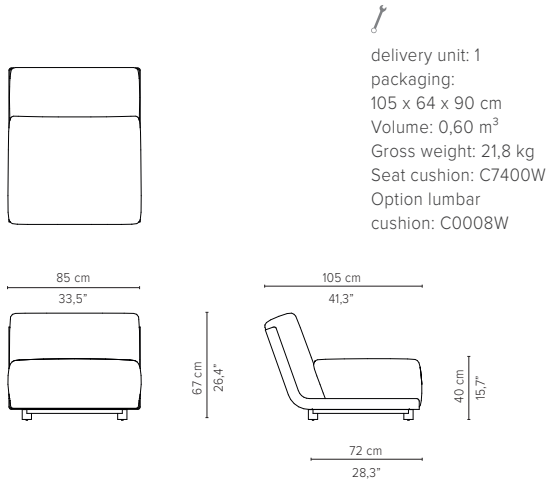
10-Linen



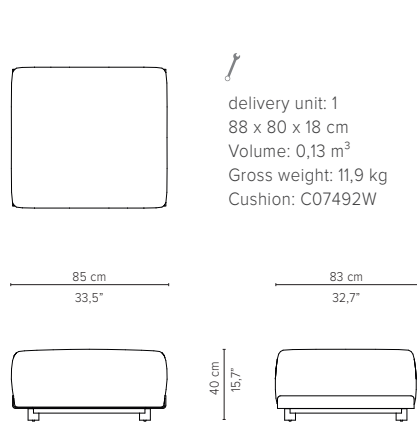
MIRTHE SOFA

TECHNICAL DRAWINGS

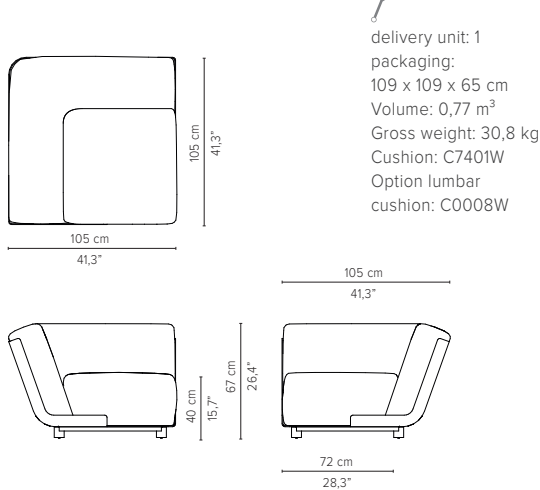
07400-xx Extension Module



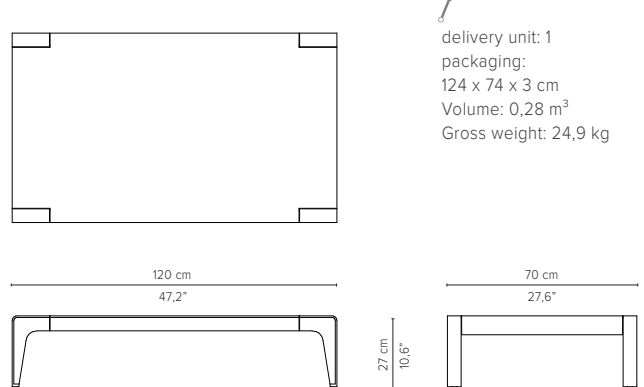
07492-xx Pouf



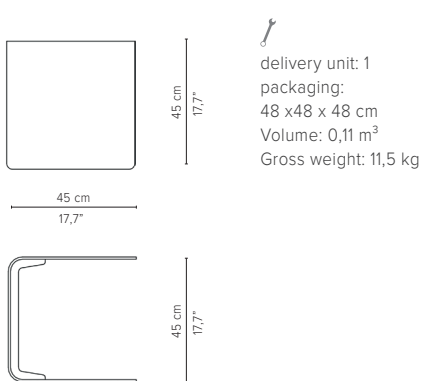
07401-xx Corner Module



07482-xx Coffee Table



07481-xx C-table



* Appearances, measurements and weights may slightly differ from reality.

MIRTHE SOFA

PROTECTION COVERS

For each item a cover is available that protects the furniture against dirt. These covers in grey colour are made of PU coated polyester which is water-repellent and UV-resistant. Thanks to their excellent breathable qualities the covers reduce condensation and heat build-up, helping to prevent the formation of mold and mildew. Nevertheless, they are not 100% waterproof. Always make sure that furniture, cushions and covers are completely dry before covering furniture.

MAINTENANCE

Powdercoated aluminium is easy to clean with clear water and a pH-neutral fluid detergent. Stubborn stains can be removed with Aluminium Cleaner. If necessary, use a soft brush to remove the dirt from the pores. To protect the frame against the adhesion of dirt, Teflon® Protector can be used which applies an invisible protective film.



D9952
Aluminium
Cleaner



D9930
Teflon® Protector
(spray that lays an invisible dirt-repellent film)

MIRTHE SOFA

PROJECT REFERENCES



St Regis Vommuli, Maldives