

NATAL ALU X TABLES

TRIBÙ STUDIO



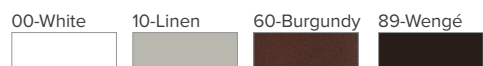
DESCRIPTION

The Natal Alu X-tables in matt powdercoated aluminium combine functionality and subtle contemporary design. The fine lines of the cross-frame base and angled corner joints are eye-catching touches typical of Tribù's attention to detail. These multi-purpose coffee tables are available in white and wengé finishes and different heights and sizes.

MATERIALS

Frame: aluminium; powdercoated with an ultra durable polyester powdercoating

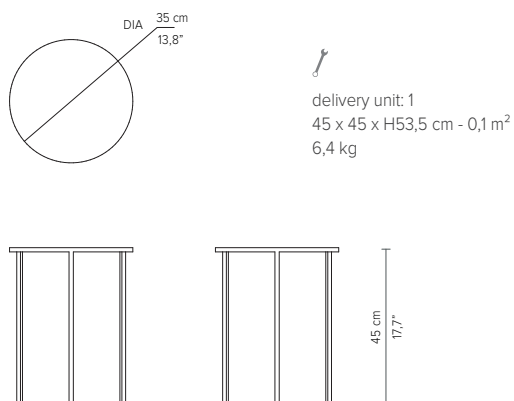
COLOURS



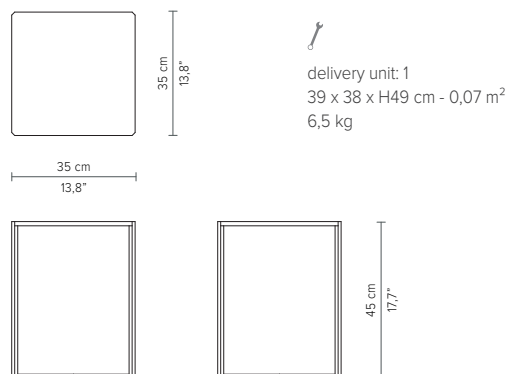
NATAL ALU X TABLES

TECHNICAL DRAWINGS

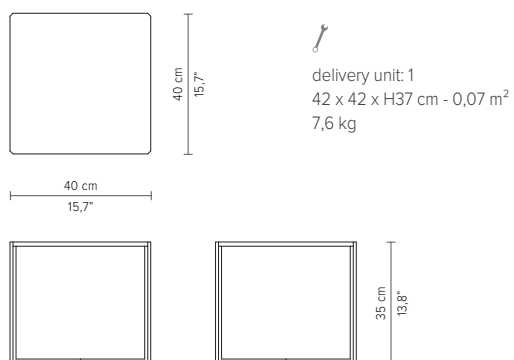
06176 Coffee table high dia 35cm



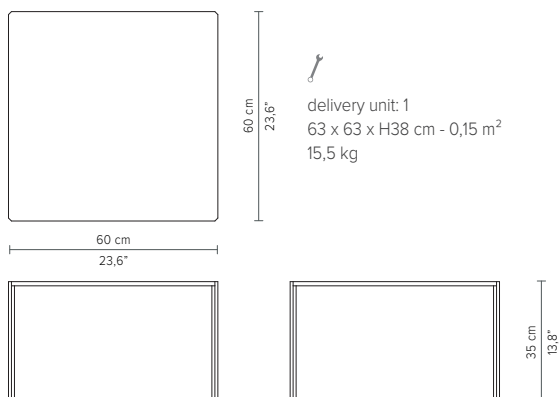
06178 Coffee table high 35x35cm



06180 Coffee table low 40x40cm



06182 Coffee table low 60x60cm



* Appearances, measurements and weights may slightly differ from reality.

NATAL ALU X TABLES

PROTECTION COVERS

For each item a cover is available that protects the furniture against dirt. These covers in grey colour are made of PU coated polyester which is water-repellent and UV-resistant. Thanks to their excellent breathable qualities the covers reduce condensation and heat build-up, helping to prevent the formation of mold and mildew. Nevertheless, they are not 100% waterproof. Always make sure that furniture, cushions and covers are completely dry before covering furniture.

MAINTENANCE

Clean the aluminium frame with tap water and a PH neutral soap. For stubborn stains, use Aluminium Cleaner. We advise to use Teflon® Protector twice a year which applies an invisible film and protects the aluminium against the adhesion of dirt.



D9952
Aluminium
Cleaner



D9930
Teflon® Protector
(spray that lays an invisible dirt-repellent film)