

# PURE SOFA

ANDREI MUNTEANU



## DESCRIPTION

Pure Sofa reduces design to the essence, devoid of all excess: pure simplicity and elegance. This modular outdoor sofa consists of five elements that combine easily into the lounge set of your liking. The sofa is made of high-quality teak from Indonesian plantations. The cushions are available in 2 different designs and numerous luxury outdoor fabrics.

## MATERIALS

- Frame: A-grade plantation teak from East-Java, every log is handpicked during the cutting process of the tree
- Hardware: 316 electropolished stainless steel
- Table top: Ceramic coloured in the mass. UV- and frost resistant, extremely scratchproof and stain-repellent

CUSHIONS - available in 2 designs

### Miami cushions

A sleek design with back cushions in a straight shape. The filling is made of water-permeable dryfoam which has an open cell structure so air can circulate freely. Water passes through the filling but dries quickly thanks to the large pores, inhibiting fungal growth.

### Casual cushions

A more fluffy design with a softer seating comfort. Lumbar cushions and armrest(s) included. The filling has a cover in laminated, water-repellent polypropylene which prevents water from penetrating. The thread used to stitch the seams swells when getting wet, preventing water from penetrating through the seams. Moreover, the seams are protected on the inside with an extra covering. If nevertheless water should penetrate, the filling is breathable which prevents moulding.



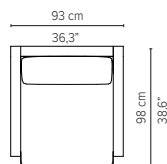
## COLOURS TABLE TOP

00-Cloudy White	71-Cloudy Silkgrey	79-Cloudy Grey	90-Cloudy Black	Teak
				

# PURE SOFA

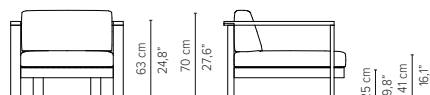
## TECHNICAL DRAWINGS

### 01202s - Armchair 93 cm

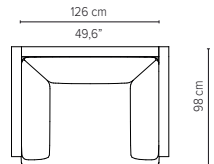


delivery unit: 1  
 packaging: 99 x 92 x H14 cm  
 0,13 m<sup>3</sup> - 22 kg

cushions:  
 Casual set\*\* C01202s CAW  
 Miami seat C01202s W  
 0,07 m<sup>3</sup> - 4 kg  
 Miami back C01202s BMW  
 0,05 m<sup>3</sup> - 2 kg

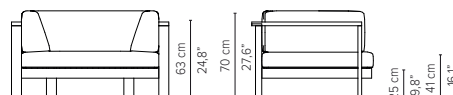


### 01202 - Armchair 126 cm

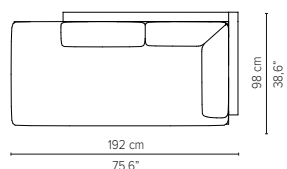


delivery unit: 1  
 packaging: 130 x 101 x H15 cm  
 0,20 m<sup>3</sup> - 27,4 kg

cushions:  
 Casual set\*\* C01202 CAW  
 Miami seat C01202 W  
 0,11 m<sup>3</sup> - 7 kg  
 Miami back C01202 BMW  
 0,13 m<sup>3</sup> - 4,5 kg

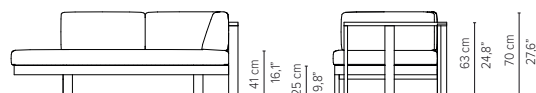


### 01203 - Light arm sofa

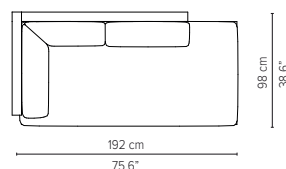


delivery unit: 1  
 packaging: 195 x 99 x H15 cm  
 0,29 m<sup>3</sup> - 34,7 kg

cushions:  
 Casual set\*\* C01203 CAW  
 Miami seat C01203 W  
 0,18 m<sup>3</sup> - 11,5 kg  
 Miami back C01203 BMW  
 0,16 m<sup>3</sup> - 4,5 kg



### 01204 - Right arm sofa

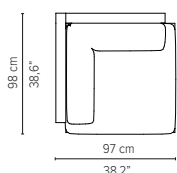


delivery unit: 1  
 packaging: 195 x 99 x H15 cm  
 0,29 m<sup>3</sup> - 34,7 kg

cushions:  
 Casual set\*\* C01203 CAW  
 Miami seat C01203 W  
 0,18 m<sup>3</sup> - 11,5 kg  
 Miami back C01203 BMW  
 0,16 m<sup>3</sup> - 4,5 kg



### 01201 - Corner

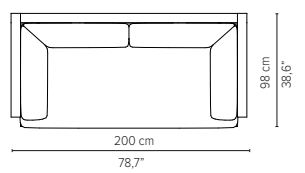


delivery unit: 1  
 packaging: 98 x 95 x H18 cm  
 0,17 m<sup>3</sup> - 23 kg

cushions:  
 Casual set\*\* C01201 CAW  
 Extra Casual back C01201 BCAW  
 Miami seat C01201 W  
 0,09 m<sup>3</sup> - 5,5 kg  
 Miami back C01201 BMW  
 0,09 m<sup>3</sup> - 3 kg

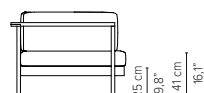
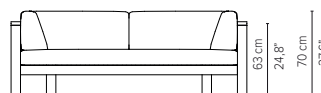


### 01207 - Armchair 200 cm



delivery unit: 1  
 packaging: 204 x 101 x H14 cm  
 0,29 m<sup>3</sup> - 34,7 kg

cushions:  
 Casual set\*\* C01207 CAW  
 Miami seat C01207 W  
 0,18 m<sup>3</sup> - 11,5 kg  
 Miami back C01207 BMW  
 0,21 m<sup>3</sup> - 6 kg

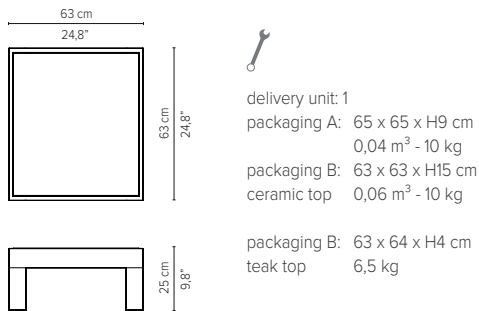


\* Appearances, measurements and weights may slightly differ from reality.  
 \*\* Lumbar cushion(s) and armrest(s) included.

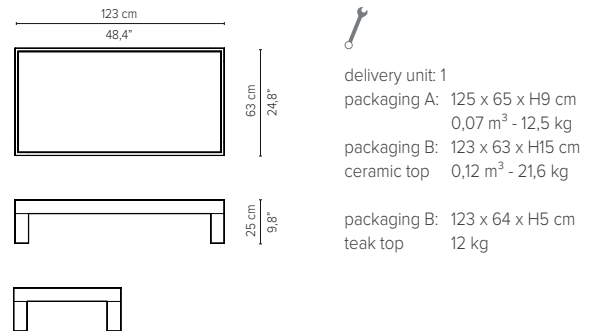
# PURE SOFA

## TECHNICAL DRAWINGS

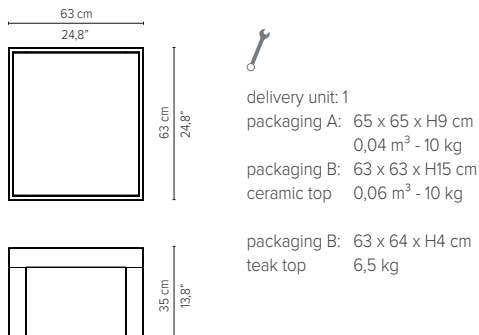
01282-x - Coffee table 63 x 63 x H25 cm



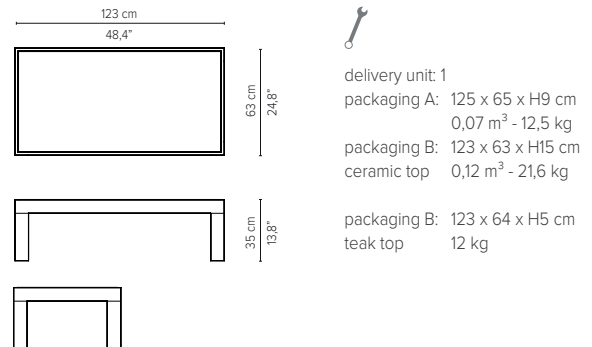
01284-x - Coffee table 123 x 63 x H25 cm



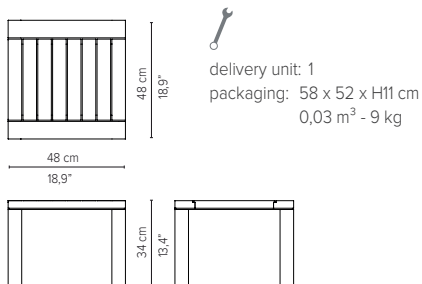
01286-x - Coffee table 63 x 63 x H35 cm



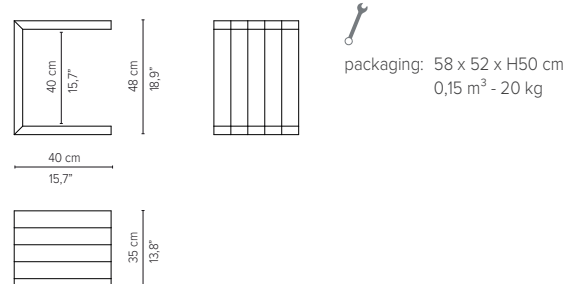
01288-x - Coffee table 123 x 63 x H35 cm



01283 - Side table teak



01285 - C-table teak



\* Appearances, measurements and weights may slightly differ from reality.

# PURE SOFA

---

## PROTECTION COVERS

For each item a cover is available that protects the furniture against dirt. These covers in grey colour are made of PU coated polyester which is water-repellent and UV-resistant. Thanks to their excellent breathable qualities the covers reduce condensation and heat build-up, helping to prevent the formation of mold and mildew. Nevertheless, they are not 100% waterproof. Always make sure that furniture, cushions and covers are completely dry before covering furniture.

## MAINTENANCE

### Table top Teak

Treat new teak with Teak Protector 4 à 6 weeks after installation. Teak Protector applies an invisible film that prevents stains and green deposit. Soiled teak can be cleaned with Teak Super Cleaner. Leave the furniture to dry completely and then apply Teak Protector. To avoid labour-intensive cleaning, you can treat the wood with Teak Sealer. A simple cleaning with water and a ph-neutral soap will do for many years. Teak Sealer contains UV protection to slow down the graying from the sun as well as a fungicide to prevent the growth of mold and mildew.



D9914  
Teak Super  
Cleaner



D9912  
Teak Protector



D9959  
Teak Sealer

### Table top Ceramic

Clean with clear water and a PH neutral soap. Stubborn stains can be removed with Glass & Ceramic Cleaner. To protect the ceramic, Ceramic Protector can be used. This applies a highly water and dirt repellent coating, and makes the surface brighter, smoother and easier to clean.



D9938  
Glass &  
Ceramic  
Cleaner

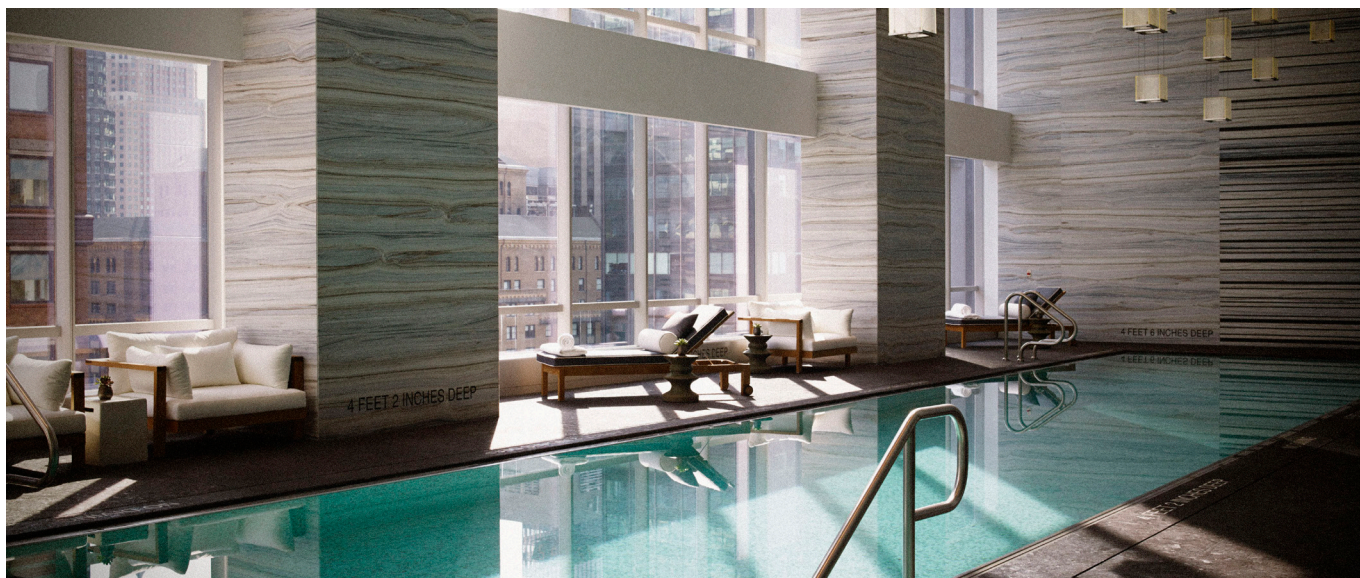


D9955  
Ceramic  
Protector



# PURE SOFA

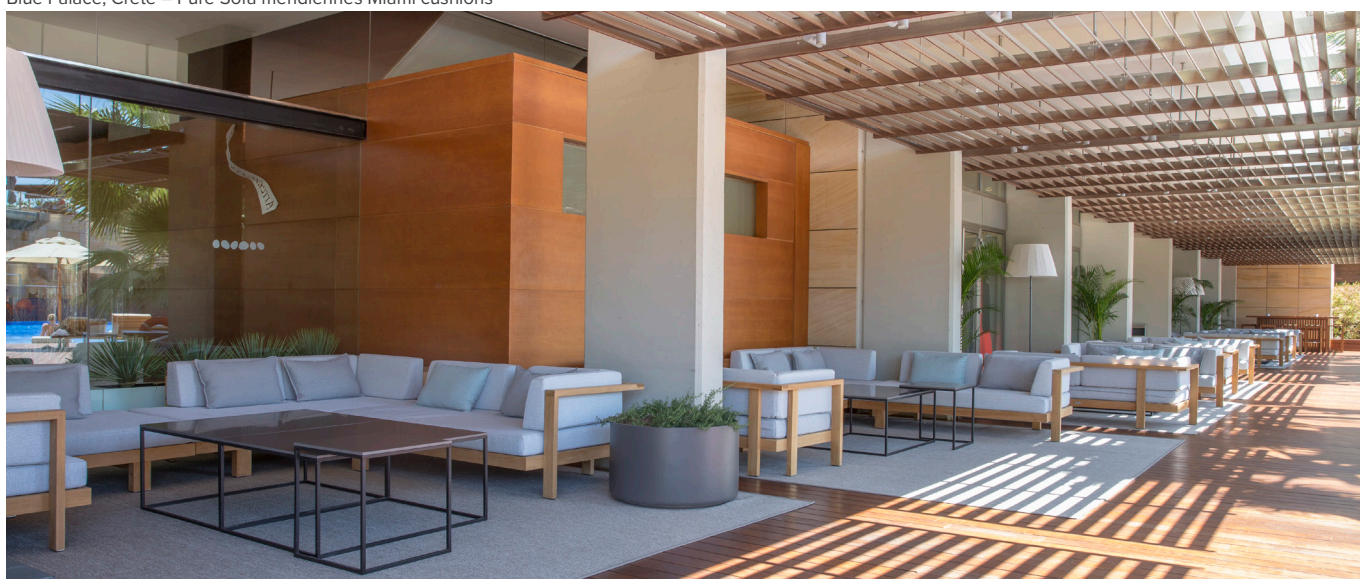
## PROJECT REFERENCES



Park Hyatt, New York – Pure Sofa armchair casual cushions



Blue Palace, Crete – Pure Sofa meridiennes Miami cushions



Ibiza Gran Hotel – Sofa combinations with Miami cushions