



**Purple, 935/D**  
divano \ sofa

La famiglia di imbottiti Purple, composta da divano modulare, poltrona lounge e day-bed, si contraddistingue per la soffice e avvolgente cuscineria sfoderabile in tessuto o pelle, che funge da schienale e seduta per il massimo comfort. Profili irregolari donano a Purple un aspetto fresco, rendendola adatta ad un doppio utilizzo indoor e outdoor, dalla casa al contract.

*The Purple upholstered family of modular sofas, lounge armchairs and day-beds is characterized by the soft and curved cushioning with removable fabric or leather covers, serving as a back and seat for maximum comfort. Its irregular profiles give Purple a fresh look, making it suitable for indoor and outdoor use, in home or contract contexts.*

## Informazioni tecniche \ *Technical information*

### Descrizione tecnica \ *Technical description*

Modulo laterale destro o sinistro, sfoderabile indoor.

Struttura in legno di massello di faggio e multistrato di betulla e imbottitura in poliuretano espanso ignifugo.

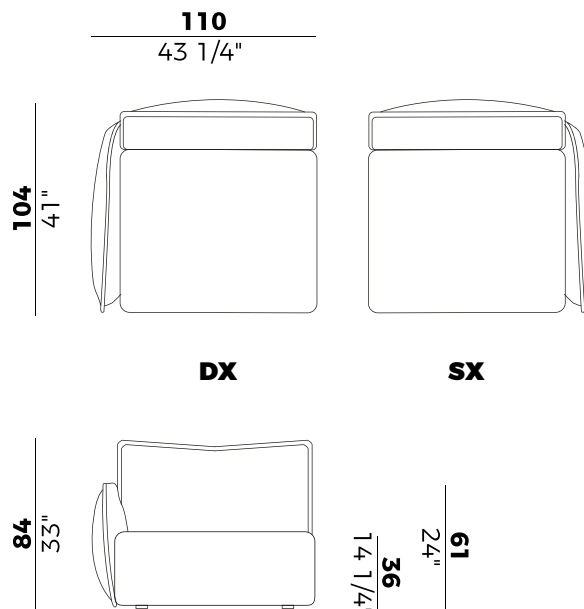
Rivestimenti di collezione.

*Right or left side unit with removable covers for indoor.*

*Frame in solid beech wood and birch plywood and upholstered with fire retardant polyurethane foam padding.*

*Covers as per collection.*

### Dimensioni \ *Dimensions*



### Consumi stoffe \ *Fabric and leather requirements*

	FABRIC AND LEATHER REQUIREMENTS		FABRIC AND LEATHER REQUIREMENTS	
	x1	x2	x1	x2
<b>H 140</b>	ml 6,00	ml 12,00	yd 7.50	yd 13.00
<b>H 130</b>	ml 6,00	ml 12,00	yd 7.50	yd 13.00
<b>LEATHER</b>	m <sup>2</sup> 12,00		ft <sup>2</sup> 128	

PACKAGING	
1 × crt = m <sup>3</sup> 1,85	
gross weight - Kg 51	

## Informazioni tecniche \ *Technical information*

### Descrizione tecnica \ *Technical description*

Modulo angolare destro o sinistro, sfoderabile indoor.

Struttura in legno di massello di faggio e multistrato di betulla e imbottitura in poliuretano espanso ignifugo.

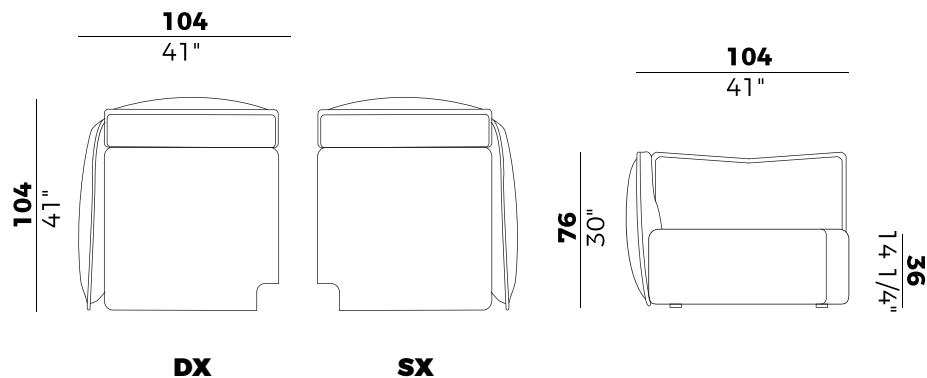
Rivestimenti di collezione.

*Right or left corner unit with removable covers for indoor.*

*Frame in solid beech wood and birch plywood and upholstered with fire retardant polyurethane foam padding.*

*Covers as per collection.*

### Dimensioni \ *Dimensions*



### Consumi stoffe \ *Fabric and leather requirements*

	FABRIC AND LEATHER REQUIREMENTS	
	x1	x2
H 140	ml 6,00	ml 12,00
H 130	ml 6,00	ml 12,00
LEATHER	m <sup>2</sup> 12,00	

	FABRIC AND LEATHER REQUIREMENTS	
	x1	x2
H 140	yd 6.60	yd 13.20
H 130	yd 6.60	yd 13.20
LEATHER	ft <sup>2</sup> 130	

	PACKAGING
	1 x crt = m <sup>3</sup> 1,85
	gross weight - Kg 60

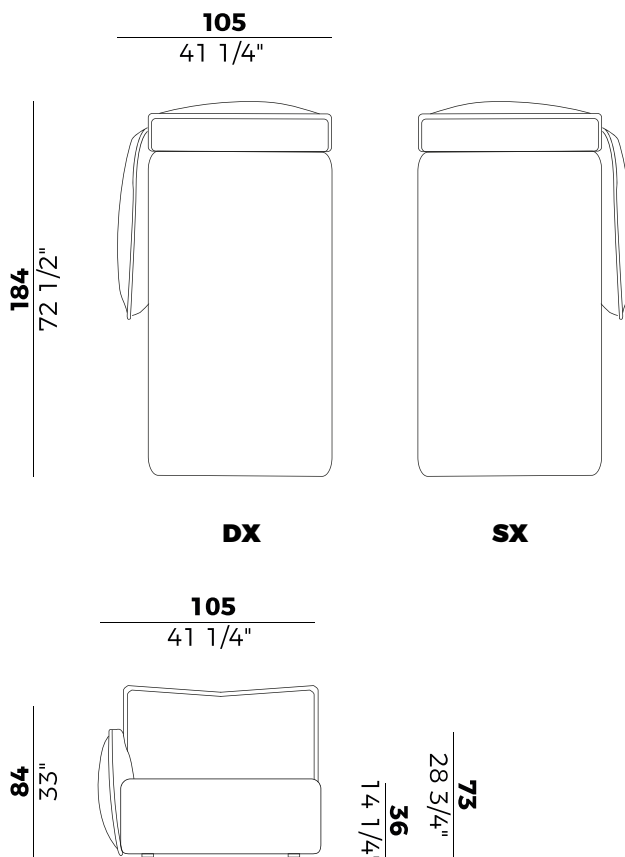
## Informazioni tecniche \ *Technical information*

### Descrizione tecnica \ *Technical description*

Modulo chaise longue destro o sinistro, sfoderabile indoor.  
Struttura in legno di massello di faggio e multistrato di betulla e imbottitura in poliuretano espanso ignifugo.  
Rivestimenti di collezione.

*Right or left chaise longue unit with removable covers for indoor.  
Frame in solid beech wood and birch plywood and upholstered with fire retardant polyurethane foam padding.  
Covers as per collection.*

### Dimensioni \ *Dimensions*



### Consumi stoffe \ *Fabric and leather requirements*

	FABRIC AND LEATHER REQUIREMENTS		FABRIC AND LEATHER REQUIREMENTS	
	x1	x2	x1	x2
<b>H 140</b>	ml 8,00	ml 16,00	yd 8.80	yd 17.50
<b>H 130</b>	ml 8,00	ml 16,00	yd 8.80	yd 17.50
<b>LEATHER</b>	m <sup>2</sup> 15,00		ft <sup>2</sup> 162	

PACKAGING	
1 x crt = m <sup>3</sup> 1,62	
gross weight - Kg 63	

## Informazioni tecniche \ *Technical information*

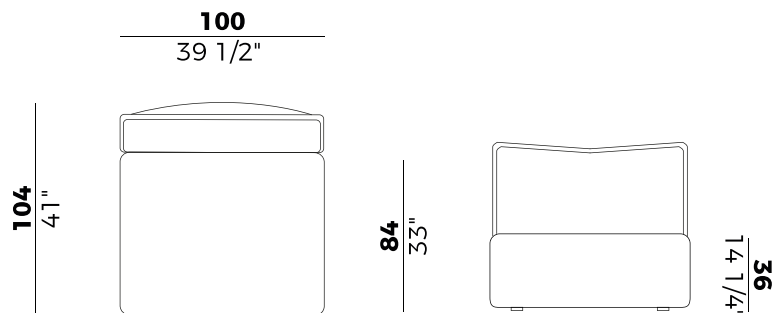
### Descrizione tecnica \ *Technical description*

Modulo centrale, sfoderabile indoor.  
Struttura in legno di massello di faggio e multistrato di betulla e imbottitura in poliuretano espanso ignifugo.  
Rivestimenti di collezione.

*Central unit with removable covers for indoor.*

*Frame in solid beech wood and birch plywood and upholstered with fire retardant polyurethane foam padding.  
Covers as per collection.*

### Dimensioni \ *Dimensions*



### Consumi stoffe \ *Fabric and leather requirements*

	FABRIC AND LEATHER REQUIREMENTS		FABRIC AND LEATHER REQUIREMENTS	
	x1	x2	x1	x2
<b>H 140</b>	ml 4,30	ml 8,60	yd 4.70	yd 9.50
<b>H 130</b>	ml 4,30	ml 8,60	yd 4.70	yd 9.50
<b>LEATHER</b>	m <sup>2</sup> 9,00		ft <sup>2</sup> 93	



#### PACKAGING

1 × crt = m<sup>3</sup> 1,85  
gross weight - Kg 48

## **Finiture** \ *Finishes*

---

**Rivestimenti** \  
*Coverings*

**Tessuto, ecopelle, pelle** \ *Fabric, eco-leather, leather*

Collezione Purple \   
Purple collection

Divano componibile sfoderabile, poltrona e day-bed nelle versioni indoor e outdoor. Struttura in legno di massello di faggio e multistrato di betulla e imbottitura in poliuretano espanso ignifugo. Rivestimenti di collezione.

Modular sofa with removable covers, armchair and day-bed for indoor and outdoor. Frame in solid beech wood and birch plywood and upholstered with fire retardant polyurethane foam padding. Covers as per collection.

