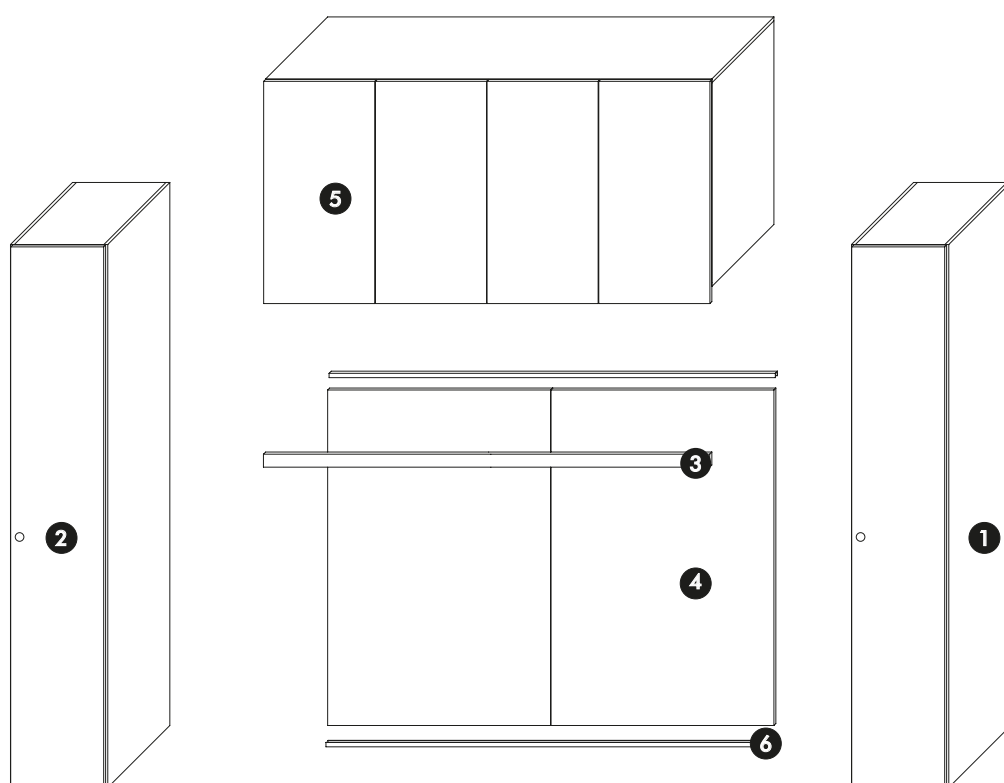


Letti a Ponte/Bridging unit



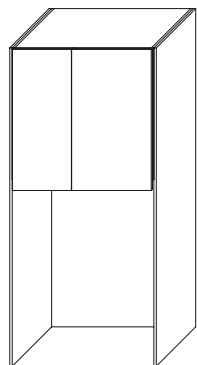
Esploso ponte/Exploded view of bridging unit



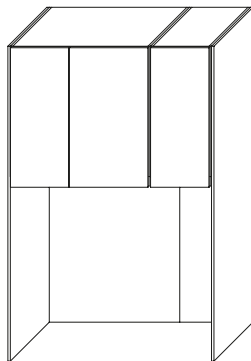
- 1 Colonna dx / RH single robe unit
- 2 Colonna sx / LH single robe unit
- 3 Barra ponte / Bridging unit bar
- 4 Schiene sottoponte / Bridging unit back panel
- 5 Pensili ponte / Bridging unit wall units
- 6 Canaletta fermaschiene / Bridging unit back panel holder

Letti a Ponte/Bridging unit

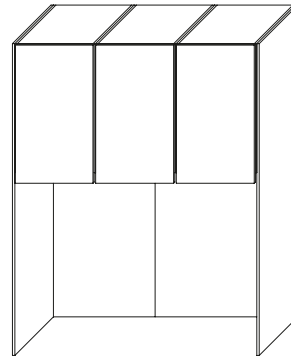
Esempi di composizioni/Lay-outs examples
H standard 232-251,2



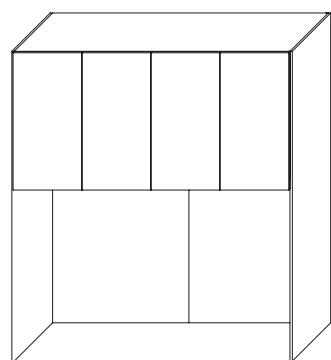
103,2



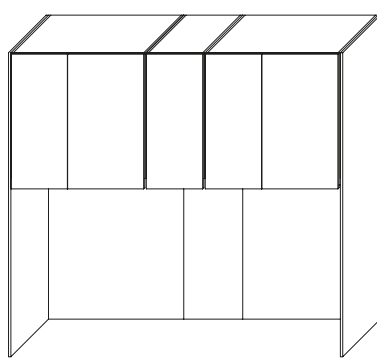
148,2



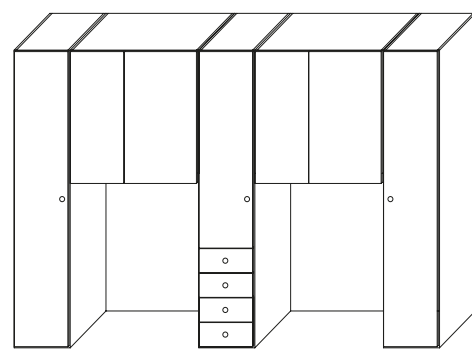
180



206,4

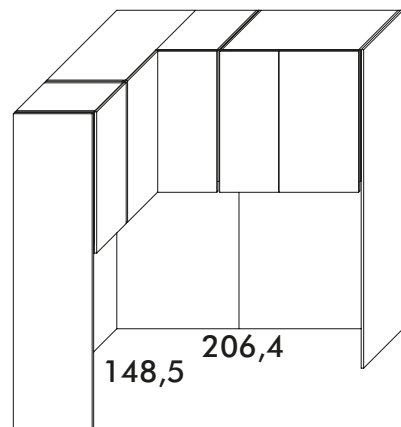


221,4

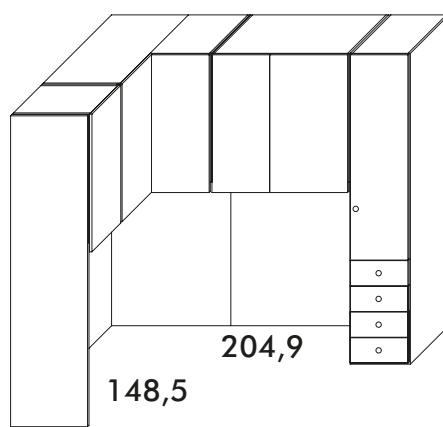


103,2

103,2



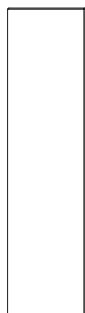
148,5 206,4



148,5 204,9

Letti a Ponte/Bridging unit

Elementi ponte/Bridging unit elements
H standard 232-251,2



FIANCO

Fianco a finire Dx-Sx/Rh-lh end side



FIANCO

Fianco a finire sagomato Dx-Sx 2 cassetti/
Rh-lh end panel shaped for 2 drawers



FIANCO

Fianco a finire Dx-Sx/Rh-lh end side



FIANCO

Fianco 'C'/'C" shaped side panel

Fianco a finire sagomato Dx-Sx 4 cassetti/
Rh-lh end panel shaped for 4 drawers