

ELLISSE PENDANT DOUBLE MEGA

Federico Palazzari

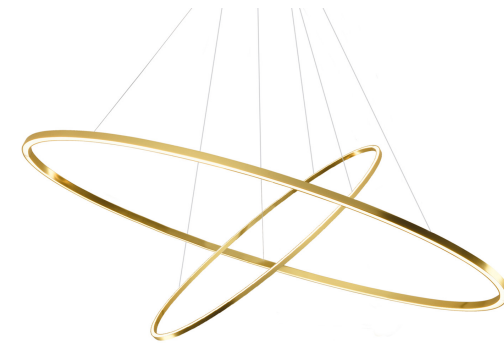
Collection of LED pendants, floor/wall lamps available in different versions: major, minor, double, triple and mega provides a direct or indirect diffused light.

In extruded aluminum in different versions: matt lacquered in the finishes, white, black and gold, natural polished and gold polished anodized.

Equipped with an opal diffuser.

The lamps are made using a proprietary extrusion coupling technology.

Ellisse Major is also available as floor or wall versions and is provided with a black marble base or a wall hook accessory.



LED 2700K

LAMPING

Source	Linear LED
Total power	90W
Emission	diffused uplight(minor), diffused downlight (major)
Switching	dimnable 1-10V
Tension	110/240V
Color temperature	2700K
Luminous flux	2825+1850lm (real luminous output)
Typ cri	85
Energy class	A+
Notes	adjustable cable length from 2,5m to 0,4m, DALI version on request

Codes

ELP LW2 5A
ELP LN2 5A
ELP LO2 5A

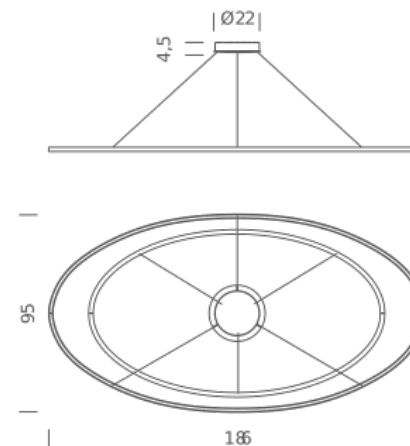
Structure/Diffuser

white/white
black/white
gold painted/white

PACKAGE

Package 01

Dimension: 14x101x201 cm / Gross
weight: 7,5 kg



LED 3000K

LAMPING

Source	Linear LED
Total power	90W
Emission	diffused uplight(minor), diffused downlight (major)
Switching	dimnable 1-10V
Tension	110/240V
Color temperature	3000K
Luminous flux	2825+1850lm (real luminous output)
Typ cri	85
Energy class	A+
Notes	adjustable cable length from 2,5m to 0,4m, DALI version on request

Codes

ELP LWW 5A
ELP LNW 5A
ELP LOW 5A

Structure/Diffuser

white/white
black/white
gold painted/white

PACKAGE

Package 01
Dimension: 14x101x201 cm / Gross
weight: 7,5 kg

