

CAP CHAIR 2

Jasper Morrison

cappellini



Cap Chair 2 is a leather chair with sides/armrests fully covered and upholstered in leather. A truly tailored product and crafted in an understated design. This new version can be lower than the predecessor and can be composed around directional tables lower than the standard height, so it turns the classic meeting room into a meeting lounge.

Materials used

Structure:

1. Metal rod and tube, epoxy powder black lacquer
Cover fixed in full grain or pigmented hide, in colours: natural, black, dark brown with tone matching edge

Seat:

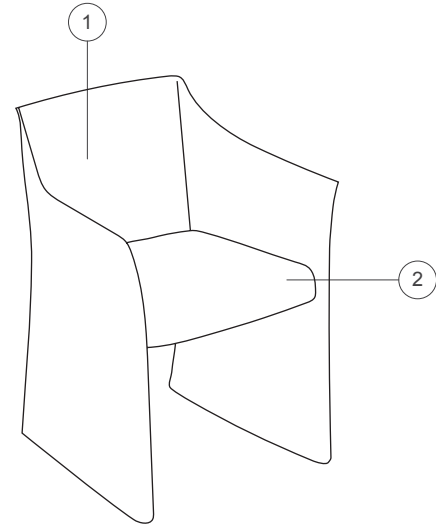
2. Structure in polyurethane foam with poplar plywood frame with elastic belts.
Cover fixed in full grain or pigmented hide, in colours: natural, black, dark brown with tone matching edge.
Also available in fabric cat. B-C-D

Base:

Wood massive ash with self-blocking sphere casters

Stitch:

Red thread for all the selected fabric and hide



Dimensions

CAP2T - CAP2TP
CAP2C - CAP2CP



58
22 3/4"

57
22 1/2"

46/80
18"-31 1/2"

CAP2TB - CAP2TPB
CAP2CB - CAP2CPB



58
22 3/4"

56,5
22 1/4"

39/73
15 1/4"-28 3/4"

