
Eunice

CHAIRS

Antonio Citterio



Description

The seat is softened by a down cushion, and the legs can be in bright chromed or bronzed nickel painted steel. The line includes a version with solid wood covered legs.

Technical information

Internal frame:

tubular steel and steel profiles

Internal frame upholstery:

Bayfit® (Bayer®) flexible cold shaped polyurethane foam, polyester fibre cover

Seat cushion upholstery:

shaped polyurethane, sterilized down, polyester fibre cover

Legs:

bright chromed or bronzed nickel painted steel sheet

Leg covers:

solid wood: grey oak, brushed light oak or brushed black oak

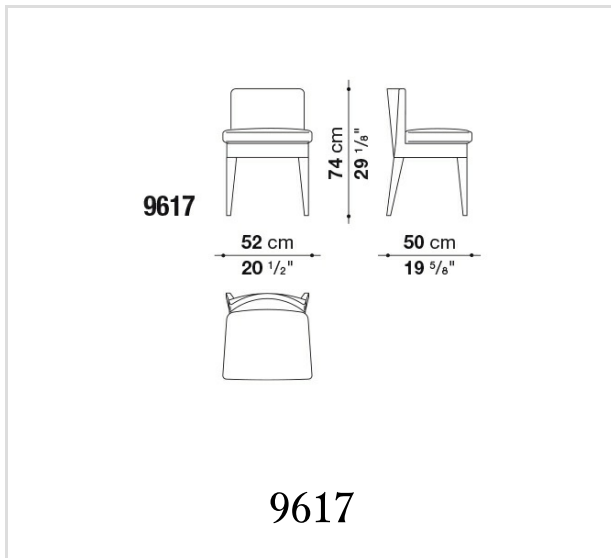
Ferrules:

thermoplastic material

Cover:

fabric or leather

Technical drawings



B&B Italia reserves the right to make technological and aesthetic improvements to its models, including changes to the sizes and materials, without notice. The technical drawings do not define the details of the product. The measurements shown are indicative and may undergo changes. In particular, the dimensions relevant to the padded parts are subject to usage tolerances over time caused by the normal adjustment of the padding. For the specific information, please contact the dealer closest to you.