

---

# Imprimatur

ARMCHAIRS

*Antonio Citterio*



## Description

Sofa range proposing two different interpretations. The first, more casual solution displays a seat split into two portions and a back with cushions of different sizes. Different coloured cushions are also available if desired. The much more formal second version comes in two widths, with a regular division of seat and back cushions. The line of Imprimatur sofas is completed by two armchairs with different back heights. The whole range features a lower edge in bronzed nickel painted steel.

---

## Technical information

### Internal frame:

tubular steel and steel profiles

### Internal frame upholstery (9865):

Bayfit® (Bayer®) flexible cold shaped polyurethane foam, shaped polyurethane, polyester fibre cover

### Internal frame upholstery (9970):

Bayfit® (Bayer®) flexible cold shaped polyurethane foam, polyester fibre, polyester fibre cover

### Seat cushion upholstery (9865):

shaped polyurethane of different density, sterilized down, polyester fibre cover

### Seat cushion upholstery (9970):

shaped polyurethane of different density, polyester fibre, polyester fibre cover

### Lower edge:

bronzed nickel painted steel profiles

### Ferrules:

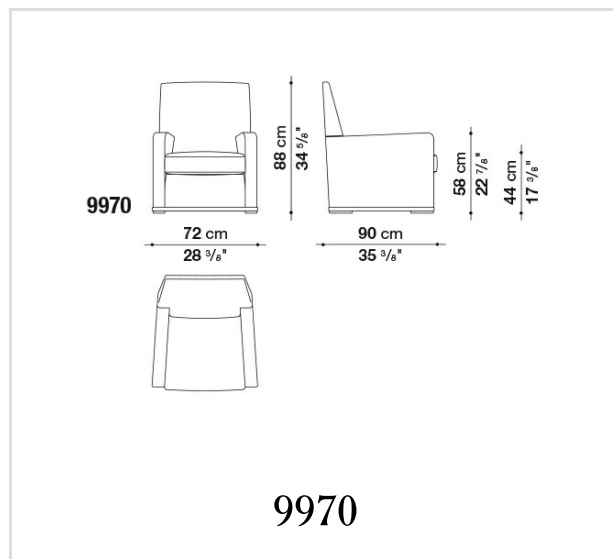
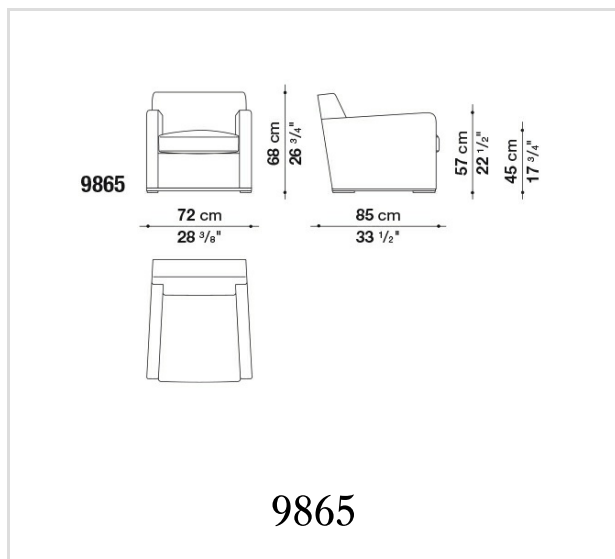
thermoplastic material

### Cover:

fabric or leather

---

# Technical drawings



B&B Italia reserves the right to make technological and aesthetic improvements to its models, including changes to the sizes and materials, without notice. The technical drawings do not define the details of the product. The measurements shown are indicative and may undergo changes. In particular, the dimensions relevant to the padded parts are subject to usage tolerances over time caused by the normal adjustment of the padding. For the specific information, please contact the dealer closest to you.