
Richard

ARMCHAIRS

Antonio Citterio



Description

Richard is the seating system which distinguishes itself by its balanced contemporary design, with references to classical atmospheres. Its modular theme is developed by 76 elements in two depths: 93 cm for more formal and contained solutions, and 123 cm for larger compositions and more informal seating. The extreme flexibility of the system and the ease with which the different elements can be assembled allows the living space to be interpreted in the most varied configurations, from formal to more relaxed, with seats, benches, ottomans and chaise longue. The wide range of covers, in fabric with matching tones or contrasting profiles, and in leather with profiles in the same leather, allows an even greater level of customisation, offering monochromatic or contrasting solutions. The structure is emphasized by a metallic profile at the base, either painted black chromed or pewter painted. Four sizes of optional cushions (65x50 cm, 48x48 cm, 55x30 cm, 38x38 cm) increase the comfort.

Technical information

Internal frame:

tubular steel and steel profiles

Back and armrest internal frame upholstery:

Bayfit® (Bayer®) flexible cold shaped polyurethane foam, polyester fibre

Seat cushion upholstery:

shaped polyurethane of different density, visco-elastic polyurethane, sterilized down, polyester fibre

Back cushion upholstery:

polyester fibre, shaped polyurethane, sterilized down

Lower edge:

painted black chrome or pewter painted die-cast aluminium and extrusions

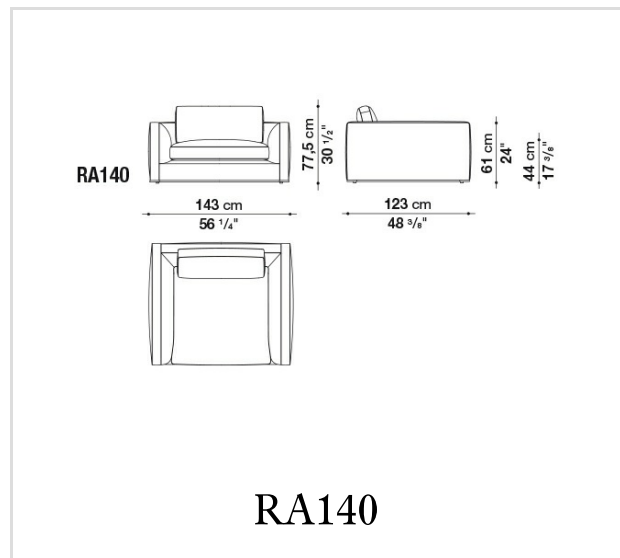
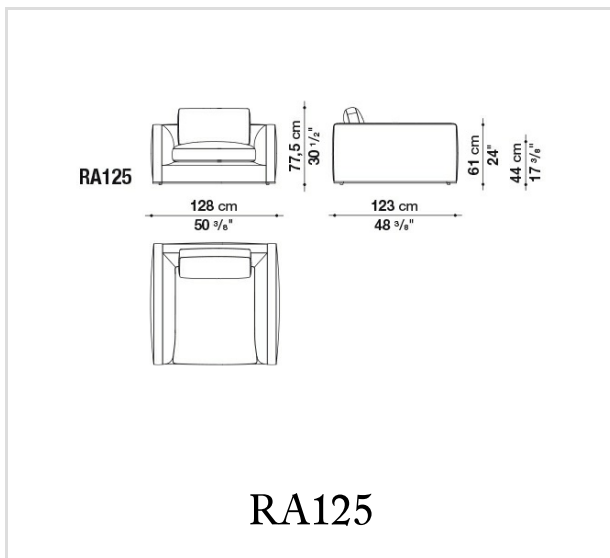
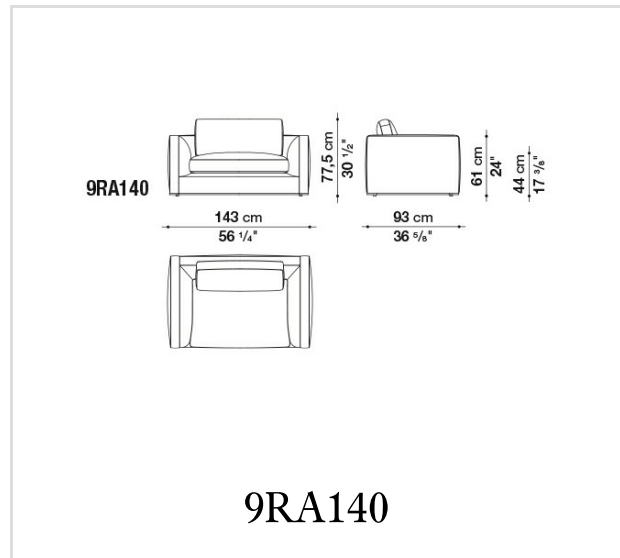
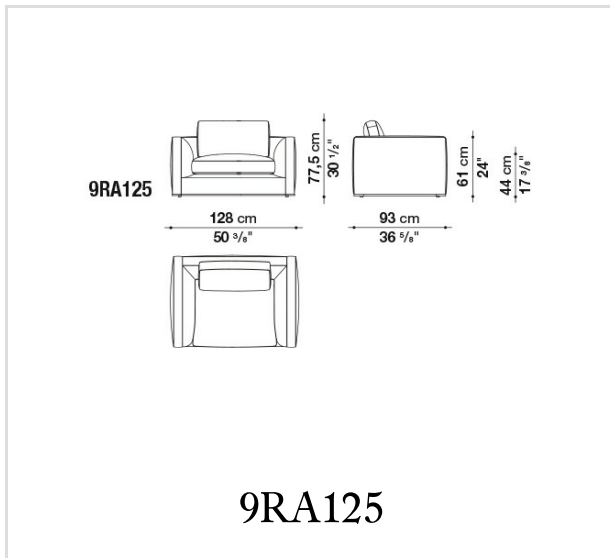
Ferrules:

thermoplastic material

Cover:

fabric (profiles in Bellano fabric) or leather

Technical drawings



B&B Italia reserves the right to make technological and aesthetic improvements to its models, including changes to the sizes and materials, without notice. The technical drawings do not define the details of the product. The measurements shown are indicative and may undergo changes. In particular, the dimensions relevant to the padded parts are subject to usage tolerances over time caused by the normal adjustment of the padding. For the specific information, please contact the dealer closest to you.