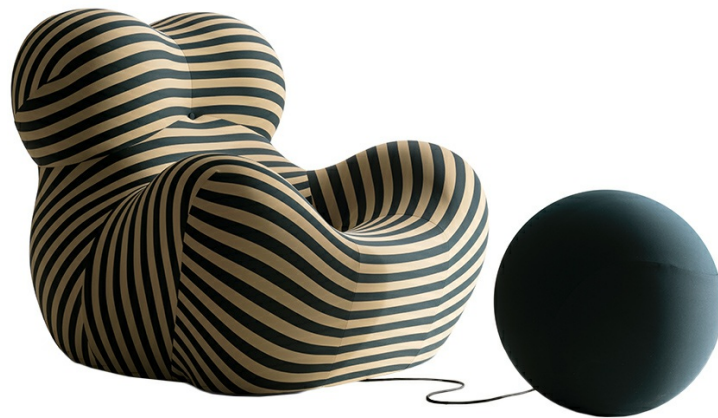

Up 50

ARMCHAIRS

Gaetano Pesce



Description

To celebrate the fiftieth anniversary of Gaetano Pesce's Up5_6, B&B Italia has opened its wardrobe up to new solid colours: orange red, navy blue, petrol green, emerald green, cardamom. There is also the 50th Anniversary Special Edition, striped beige/petrol green, which refers to the original colour palette of 1969.

Technical information

Upholstery

Bayfit® flexible cold shaped polyurethane foam

Bottom base

100% jute fabric, PVC trimming

Cover button

metallic base and fabric

Bottom base

button thick leather

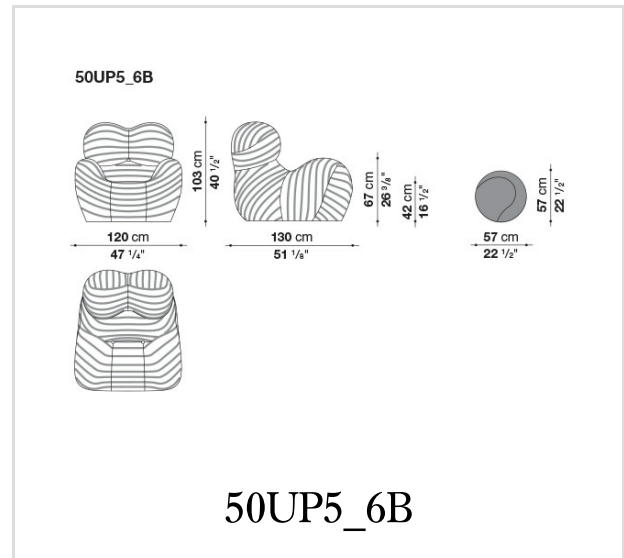
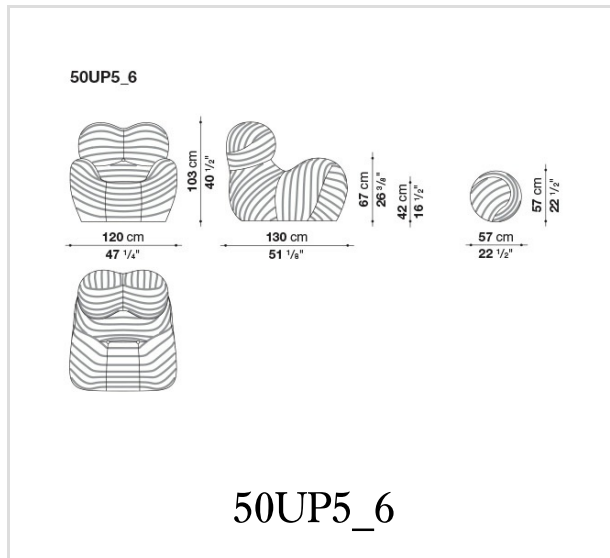
Cord

100% nylon

Cover

fabric in limited categories

Technical drawings



B&B Italia reserves the right to make technological and aesthetic improvements to its models, including changes to the sizes and materials, without notice. The technical drawings do not define the details of the product. The measurements shown are indicative and may undergo changes. In particular, the dimensions relevant to the padded parts are subject to usage tolerances over time caused by the normal adjustment of the padding. For the specific information, please contact the dealer closest to you.