
Bankside

SOFAS

Jasper Morrison



Description

Jasper Morrison, leading designer on the scene of contemporary design, joins the B&B Italia's team of designers with Bankside, a micro edition of seats for the community, originally conceived for the prestigious Tate Gallery of Modern Art in London, designed by the duo Herzog & De Meuron. The Bankside armchair and sofa summarise functional features associated with public use, but their slender profile and high resistance to wear perfectly meet also the demands of domestic settings.

Technical information

Внутренняя рама:

трубчатые рамы и профили из стали

Набивка внутренней рамы:

эластичная упругая полиуретановая пена Bayfit® (Bayer®), полиэфирное волокно, чехол из полиэфирного волокна

Ножки:

отливка из алюминия: сатинированный алюминий и окрашенный verniciato или дуб из алюминиевого

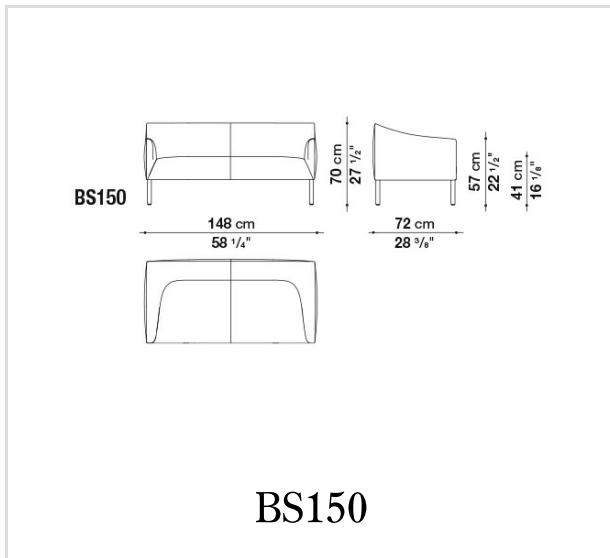
Основания:

термопластичный материал черного цвета

Обивка:

ткань или кожа

Technical drawings



B&B Italia reserves the right to make technological and aesthetic improvements to its models, including changes to the sizes and materials, without notice. The technical drawings do not define the details of the product. The measurements shown are indicative and may undergo changes. In particular, the dimensions relevant to the padded parts are subject to usage tolerances over time caused by the normal adjustment of the padding. For the specific information, please contact the dealer closest to you.