
Butterfly

SOFAS

Patricia Urquiola

Description

Butterfly gets its name from the "butterfly" shape created by the outer corner that joins the armrest and the backrest. It is a modular seating system that responds effectively to the needs of modularity and comfort, suitable for free and informal usage. Its modular structure is shaped around an ottoman, which is the base piece, and which, when integrated with the backrest and/or the armrest, becomes a central or terminal element, either left or right. The combination of these elements, using a simple joint system, makes it possible to freely set up versatile configurations, from in-line sofas to corner solutions, from front facing to lounge layouts. This first textile sofa in B&B Italia Outdoor collection is characterized by soft and sinuous shapes. Completely upholstered, it leverages the company's production technology, with materials and solutions designed for outdoor use, in order to take outdoors the quality and comfort that has always characterized indoor seating. The system includes a family of complements, seamlessly integrated with the seats, making it possible to design many compositions suitable for different space customization requirements. The strong material component of Butterfly's cover and the softness of its shapes are an invitation to comfort, which, together with the modularity of the system, make it ideal for transversal projects, from hotels to marine applications. The Butterfly complements have an outline that perfectly follows the lines of the sofa, harmoniously flanking the seat at the top. The family consists of round, square, and rectangular low tables and a small table featuring a large weave pattern, made of tortora coloured twisted polyethylene fibres that wraps around the grey painted aluminium frame. Two finishes are available for the surfaces of the complements: white Carrara marble "venatino statuarietto" or thermo-treated ash wooden slats.

Technical information

Internal frame:

tubular steel and steel profiles

Internal frame upholstery:

Bayfit® (Bayer®) flexible cold shaped polyurethane foam, water repellent polyester fibre cover

Feet and fixing elements:

black thermoplastic material

Ferrules:

thermoplastic material

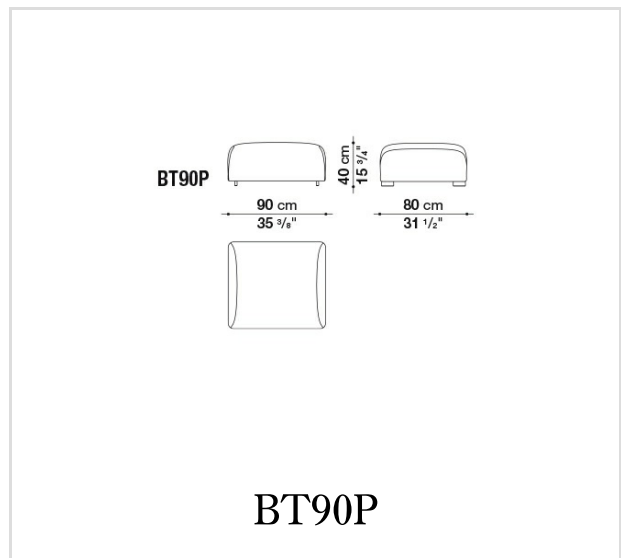
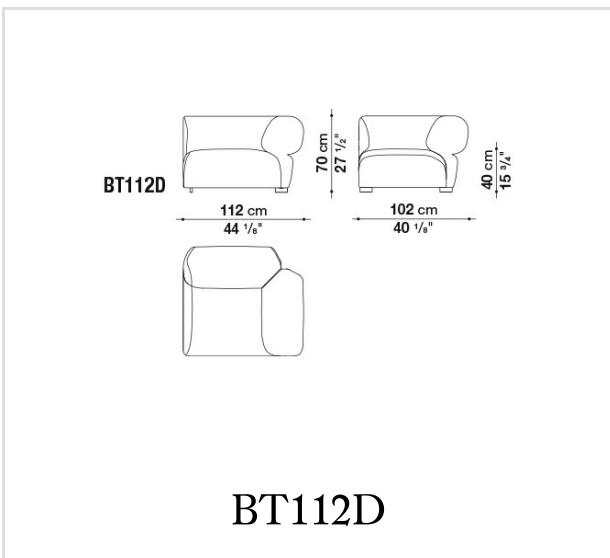
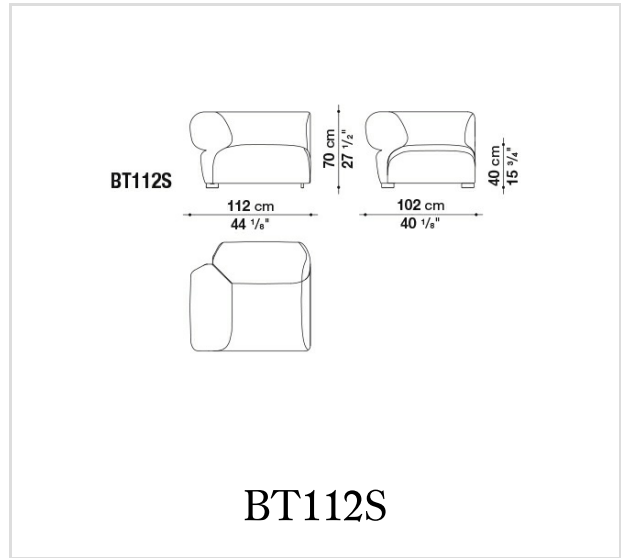
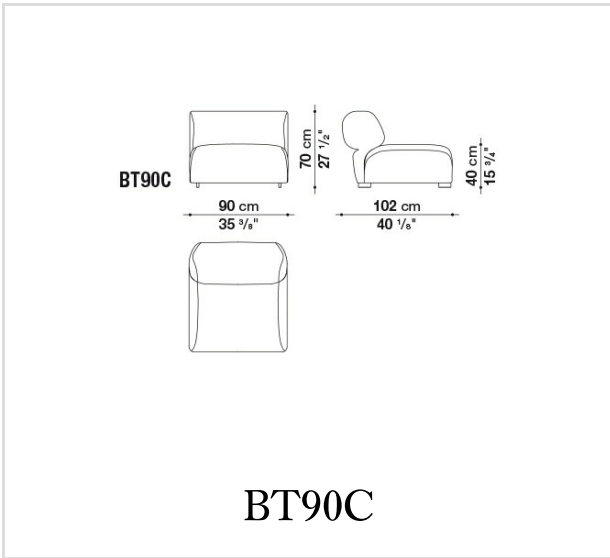
Cover cloth:

polyester on synthetic support

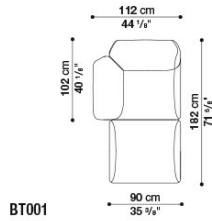
Cover:

fabric in limited categories

Technical drawings

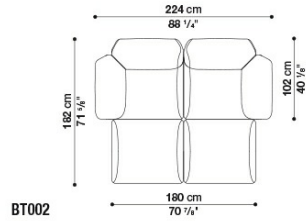


Compositions



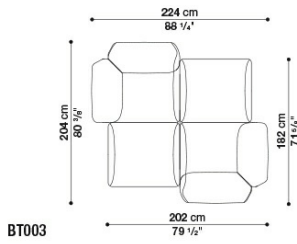
BT001

01



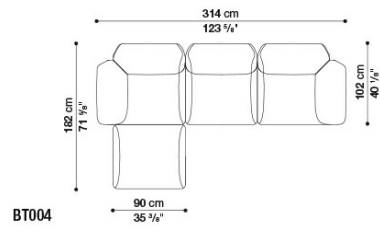
BT002

02



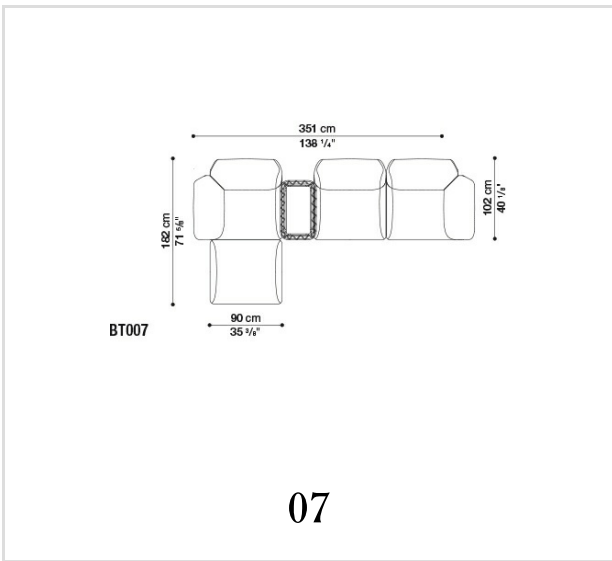
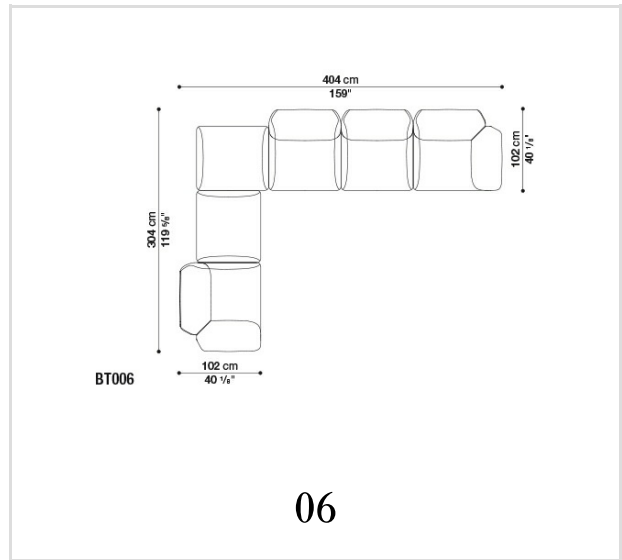
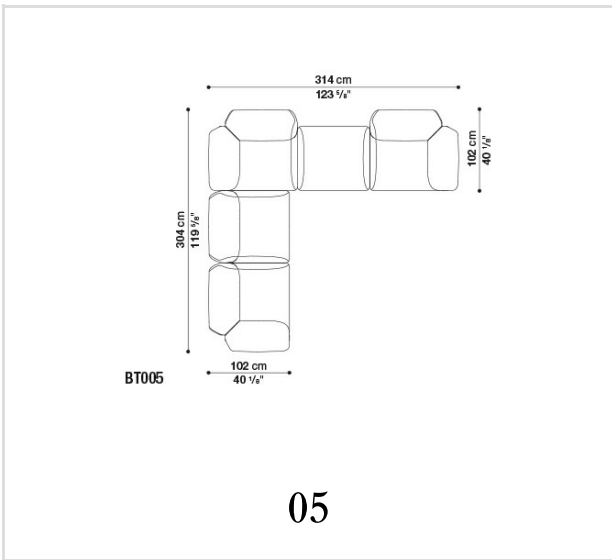
BT003

03



BT004

04



B&B Italia reserves the right to make technological and aesthetic improvements to its models, including changes to the sizes and materials, without notice. The technical drawings do not define the details of the product. The measurements shown are indicative and may undergo changes. In particular, the dimensions relevant to the padded parts are subject to usage tolerances over time caused by the normal adjustment of the padding. For the specific information, please contact the dealer closest to you.