
Diesis

SOFAS

Antonio Citterio

Paolo Nava



Description

The epitome of innovative research and sophisticated handcrafting skills, it has become a landmark in the history of design. The absolute elegance even when seen from the back with the thick leather upholstered backrest that reveals its flexible structure ensures its leading role when placed at the centre of a room. Distinctive features and technological materials make it a product that meets the most sophisticated international taste. The comfort of the entire series is guaranteed by soft padding.

Technical information

Frame:

steel sheet and steel profiles covered in thick leather

Seat cushion upholstery:

shaped polyurethane of different density, sterilized down, polyurethane inserts, polyester fibre cover

Back and armrest cushion upholstery:

sterilized down, polyurethane inserts

Support frame and feet:

die-cast aluminium and tubular steel

Ferrules:

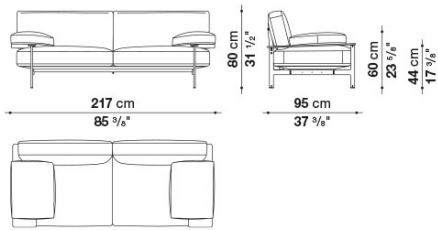
plastic material

Cover:

fabric or leather

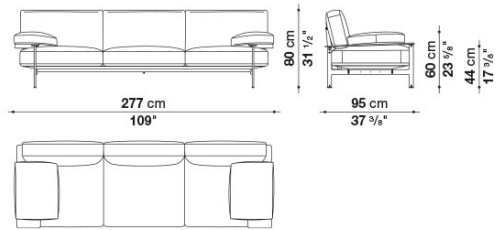
Technical drawings

DS217



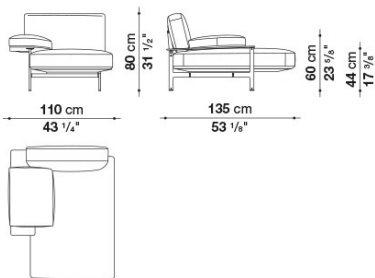
DS217

DS277



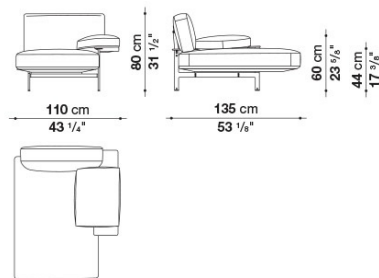
DS277

DS135LS

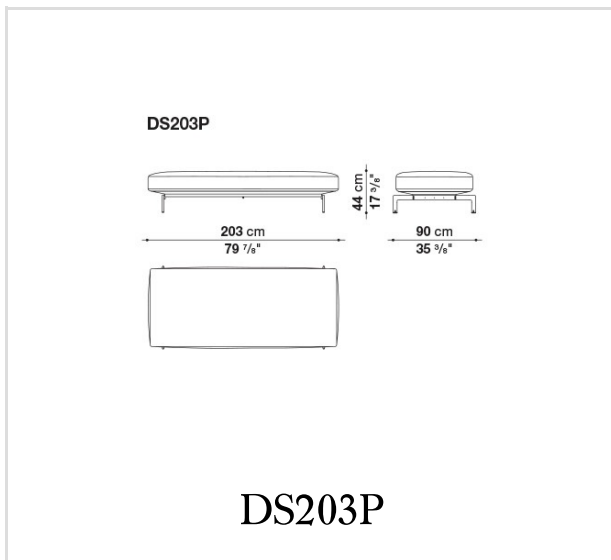


DS135LS

DS135LD



DS135LD



B&B Italia reserves the right to make technological and aesthetic improvements to its models, including changes to the sizes and materials, without notice. The technical drawings do not define the details of the product. The measurements shown are indicative and may undergo changes. In particular, the dimensions relevant to the padded parts are subject to usage tolerances over time caused by the normal adjustment of the padding. For the specific information, please contact the dealer closest to you.