

---

# Erica '19

SOFAS

Antonio Citterio



## Description

The Erica collection of sofas, armchairs and small chairs that was so successfully launched in 2017 has been enhanced by new sofas, still based on the same characteristic curved backrest and interlacing as before but offering a deeper seat and lived-in appearance. The sofas come in three extra-comfortable sizes - the 170 and 216 cm styles with a 96 cm deep seat and the 153 cm version with a 140 cm deep seat - and the cushions have a different type of upholstery giving an even softer and more natural look and making them even more inviting. The unusual colour juxtaposition of frame and interlacing in anthracite, tortora or a frame in sage with natural coloured interlacing can be complemented by a vast range of cushion covers, in an array of tones and designs, all co-ordinating with each other. There is also a chair with armrests with an innovative interlaced backrest.

---

## Technical information

### Каркас

литой под давлением и экструдированный алюминий

### Отделка каркаса

окраска полиэфирной порошковой краской

### Набивка спинка

Ecogreen (смесь полиэтилена и полиэфира), подкладка полиэстер волокна с водоотталкивающей обработки

### Набивка сиденье

фигурный полиуретан, Ecogreen (смесь полиэтилена и полиэфира), подкладка полиэстер волокна с водоотталкивающей обработки

### Плетение

жгут из полипропиленового волокна

### Ременный переплет сиденья

полипропиленовое волокно и нити синтетической резины

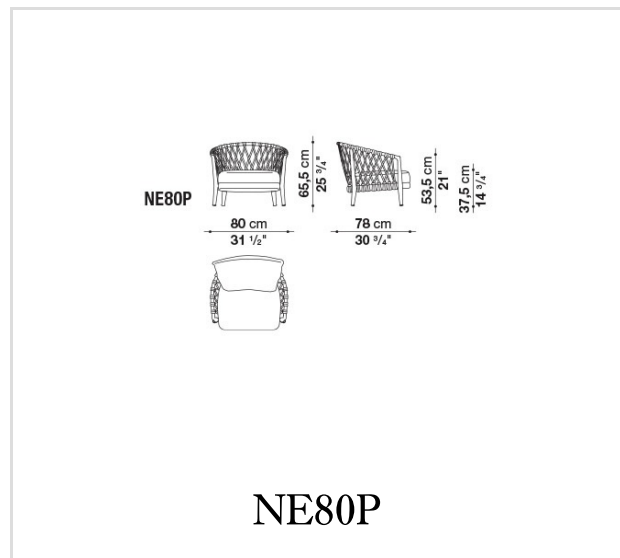
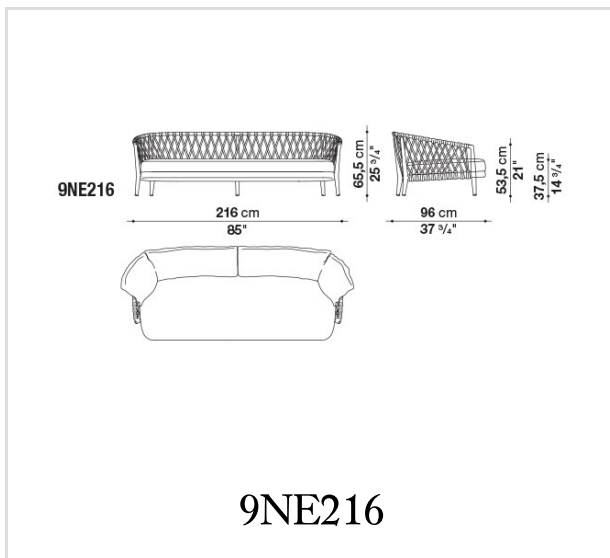
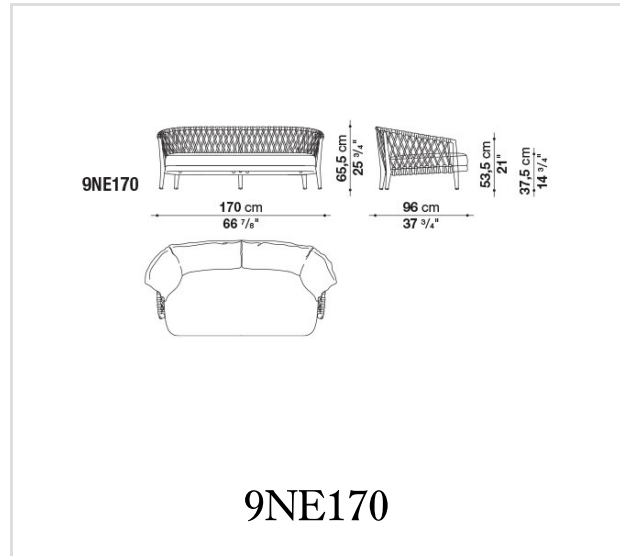
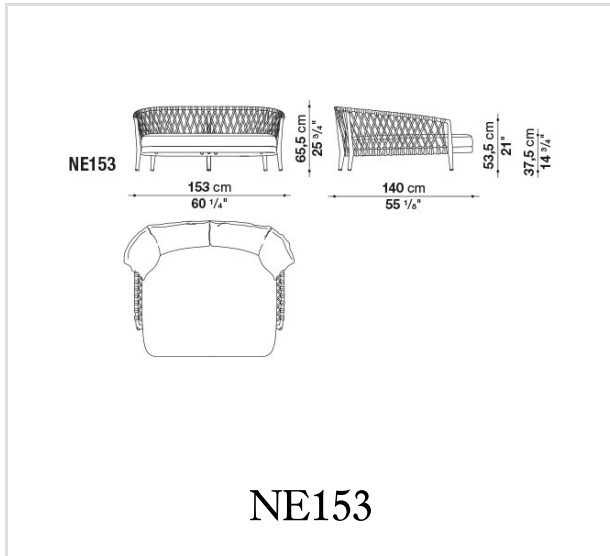
### Обивка

Ткань

### Наконечники

Полипропилен

# Technical drawings



B&B Italia reserves the right to make technological and aesthetic improvements to its models, including changes to the sizes and materials, without notice. The technical drawings do not define the details of the product. The measurements shown are indicative and may undergo changes. In particular, the dimensions relevant to the padded parts are subject to usage tolerances over time caused by the normal adjustment of the padding. For the specific information, please contact the dealer closest to you.