

---

# Lutetia

SOFAS

Antonio Citterio



## Description

They all have a base-frame in grey oak, brushed light oak, brushed black oak or smoked stained oak and a cover in fabric or leather with blanket stitch. The cushions shape distinguish the versions: the first has a classic look (there are three for the seat and three for the back) while in the second the seat has a single topstitched seat cushion and a series of free cushions that make the back comfortable.

---

## Technical information

### Internal frame:

tubular steel and steel profiles

### Internal frame upholstery:

Bayfit® (Bayer®) flexible cold shaped polyurethane foam, polyester fibre cover

### Seat cushion upholstery:

shaped polyurethane of different density, polyester fibre, cotton and polyester fibre cover

### Back cushion upholstery:

shaped polyurethane, sterilized down, polyester fibre, cotton fibre cover

### Base-frame:

solid wood: grey oak, brushed light oak, brushed black oak or smoked stained oak

### Ferrules:

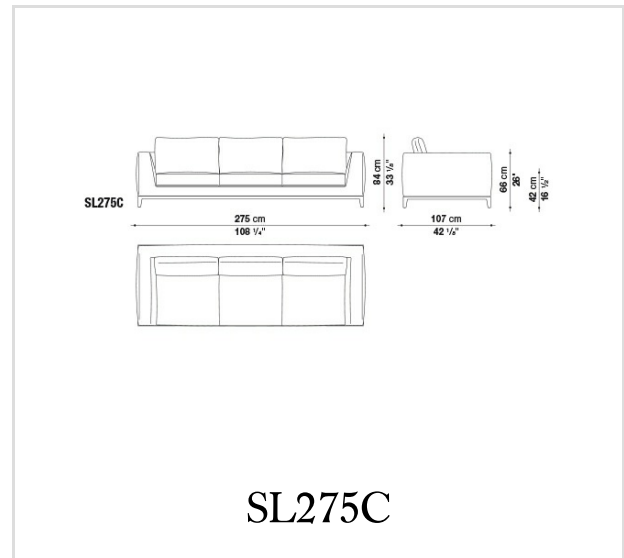
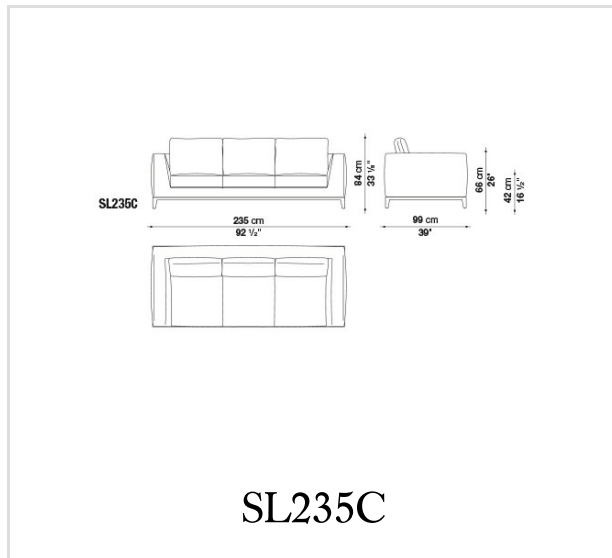
thermoplastic material

### Cover:

fabric or leather (blanket stitch)

---

# Technical drawings



B&B Italia reserves the right to make technological and aesthetic improvements to its models, including changes to the sizes and materials, without notice. The technical drawings do not define the details of the product. The measurements shown are indicative and may undergo changes. In particular, the dimensions relevant to the padded parts are subject to usage tolerances over time caused by the normal adjustment of the padding. For the specific information, please contact the dealer closest to you.