

---

# Posa

SOFAS

*David Chipperfield*



## Description

Posa is available in the following types: sofa, armchair and small armchair. The Posa series is named after the Marquis Von Posa, the idealistic hero of the opera Don Carlos by Friedrich Schiller. Schiller was born in Marbach am Neckar, in Germany, the city where David Chipperfield recently designed the acclaimed museum of modern literature, completed in 2006. Chipperfield's work is often inspired by architectural work and Posa is now exception. Clean lines dominate these seating solutions, with their hidden frames completely covered in fabric or leather.

---

## Technical information

### Internal frame:

tubular steel and steel profiles

### Internal frame upholstery:

Bayfit® (Bayer®) flexible cold shaped polyurethane foam, shaped polyurethane, polyester fibre cover

### Lower edge:

bright brushed aluminium

### Ferrules:

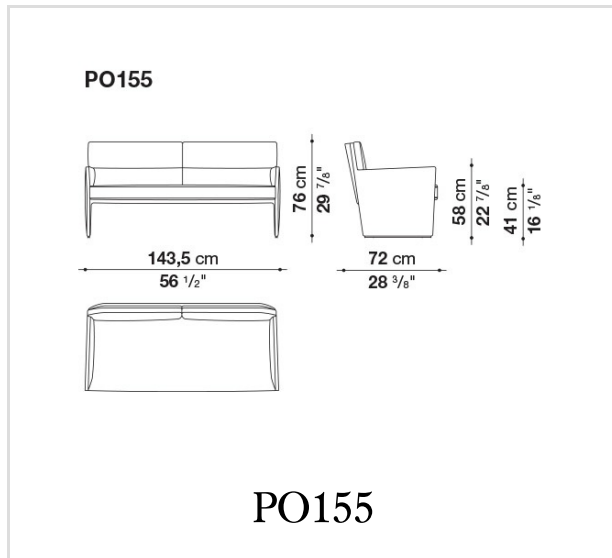
thermoplastic material

### Cover:

fabric or leather in limited categories

---

# Technical drawings



B&B Italia reserves the right to make technological and aesthetic improvements to its models, including changes to the sizes and materials, without notice. The technical drawings do not define the details of the product. The measurements shown are indicative and may undergo changes. In particular, the dimensions relevant to the padded parts are subject to usage tolerances over time caused by the normal adjustment of the padding. For the specific information, please contact the dealer closest to you.