
Terminal 1

CHAISE LONGUE

Jean-Marie Massaud



Description

The inclination to carry out experimentation has produced distinctive items that challenge the current scene. Terminal 1 witnesses this with its fluid shapes, balance between seats and metal support, contrast between glossy and matt finish that enhance the sophistication of its monochrome image. With the dual function of armchair and chaise longue, it possesses the basic features of a sculpture that seems to float.

Technical information

Internal shell:
hard polyurethane

Internal shell upholstery:
Bayfit® (Bayer®) flexible cold shaped polyurethane foam

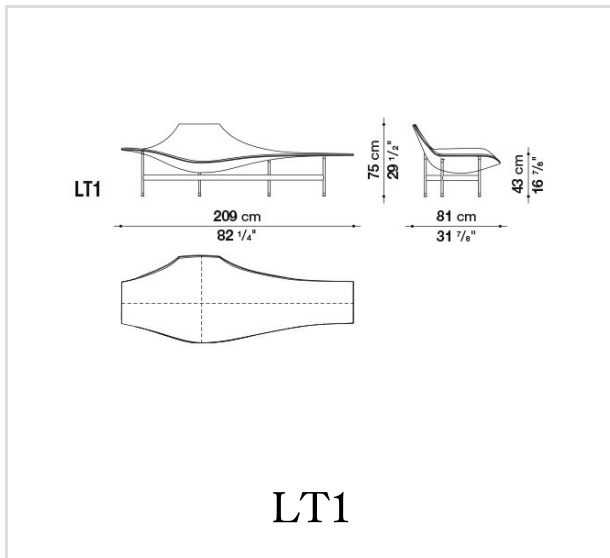
Support frame:
matt painted tubular steel

External shell:
glossy painted hard polyurethane

Ferrules:
thermoplastic material

Cover:
Gamma leather

Technical drawings



B&B Italia reserves the right to make technological and aesthetic improvements to its models, including changes to the sizes and materials, without notice. The technical drawings do not define the details of the product. The measurements shown are indicative and may undergo changes. In particular, the dimensions relevant to the padded parts are subject to usage tolerances over time caused by the normal adjustment of the padding. For the specific information, please contact the dealer closest to you.